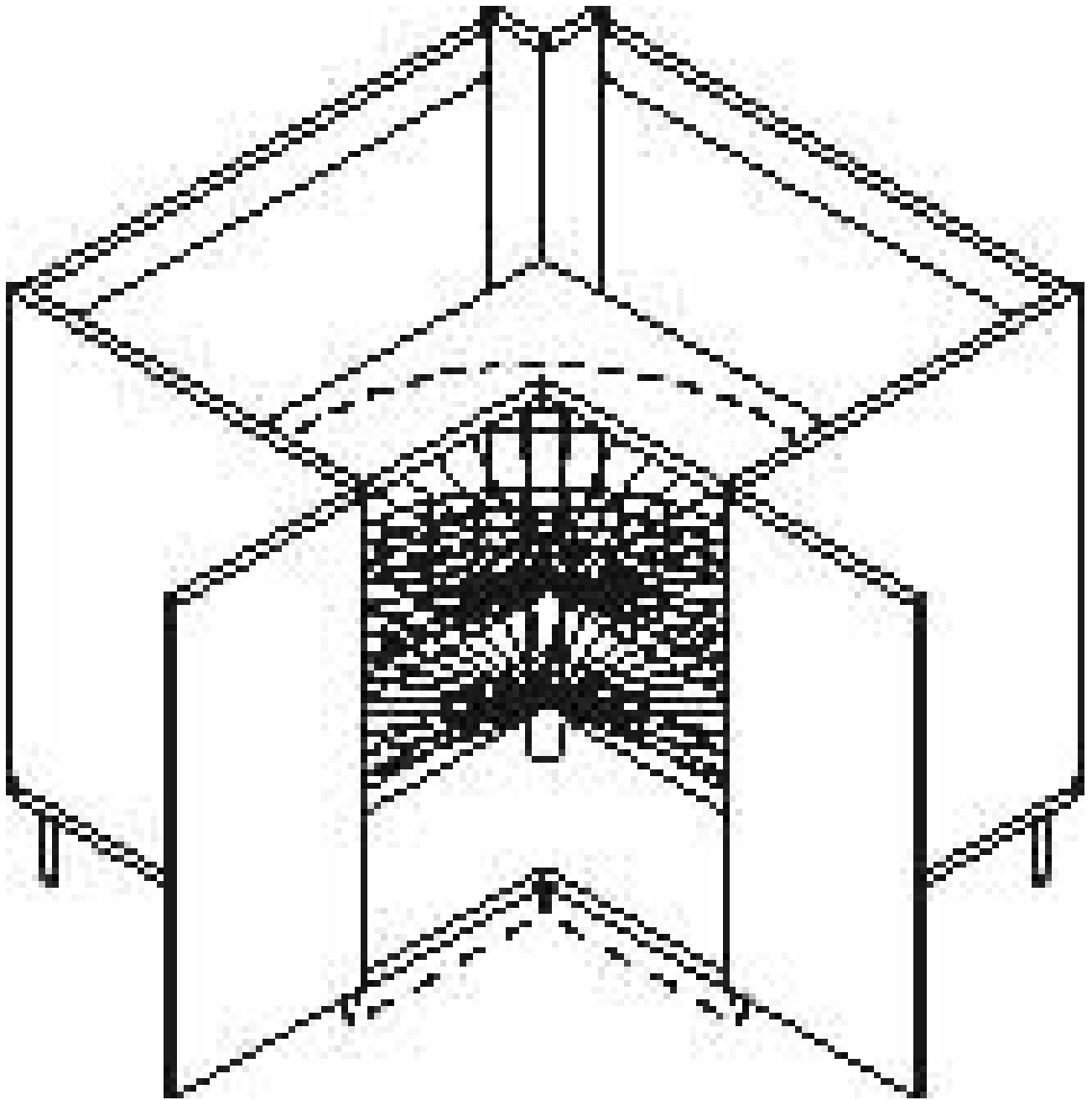




Name Baskets in chromium-plated wire

Year

Description Internal corner base unit with baskets in chromium-plated wire



Boffi S.p.a.

Via Oberdan, 70

20823 Lentate sul Seveso (MB) - Italy

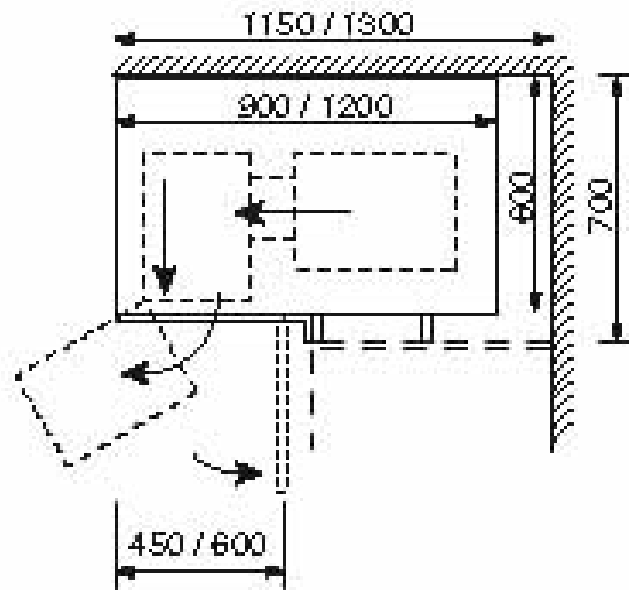
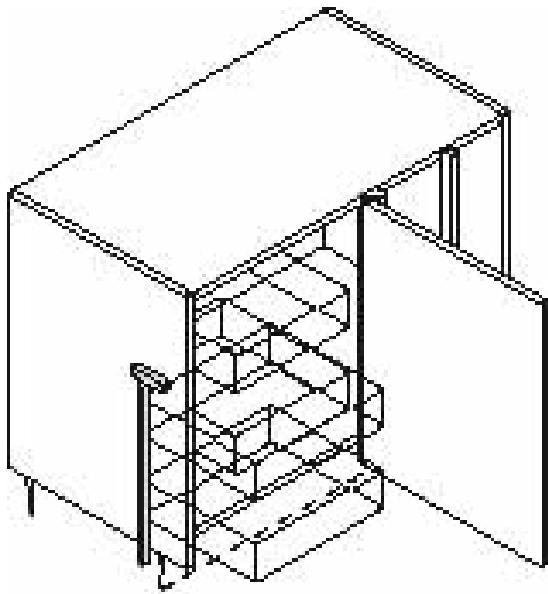
p.iva IT 02642250969



Name Corner base and tall units

Year

Description Linear corner base unit with SMART CORNER baskets



Boffi S.p.a.

Via Oberdan, 70

20823 Lentate sul Seveso (MB) - Italy

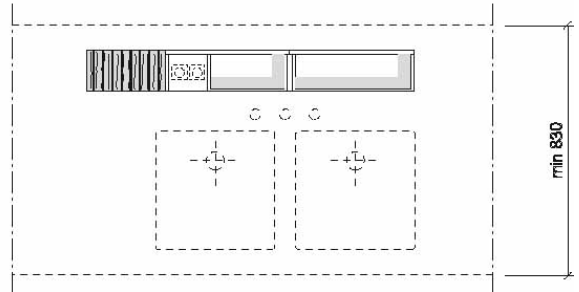
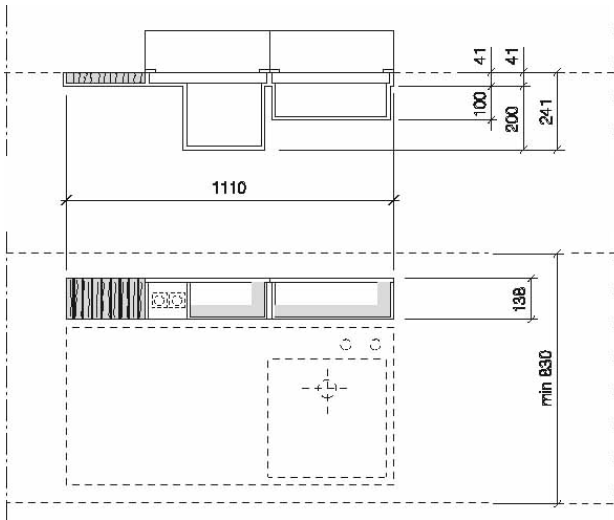
p.iva IT 02642250969



Name Containers kit in Corian®

Year

Description Containers kit in Corian®



Boffi S.p.a.

Via Oberdan, 70

20823 Lentate sul Seveso (MB) - Italy

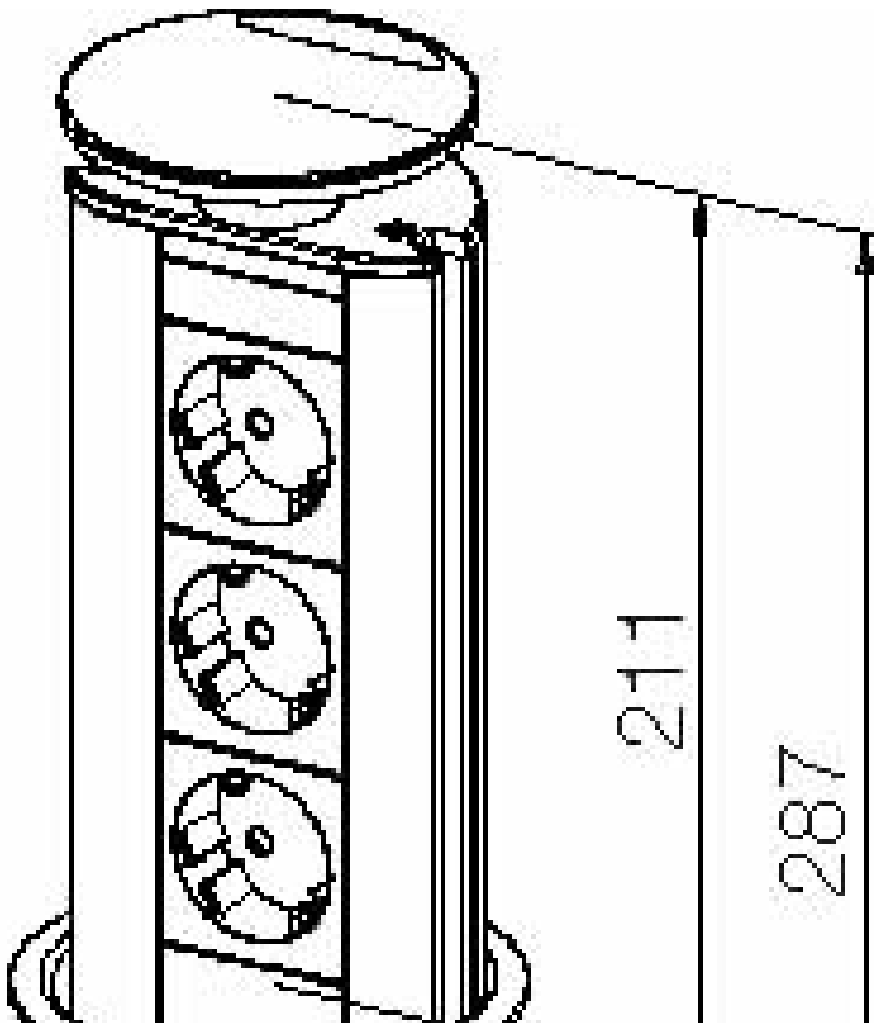
p.iva IT 02642250969

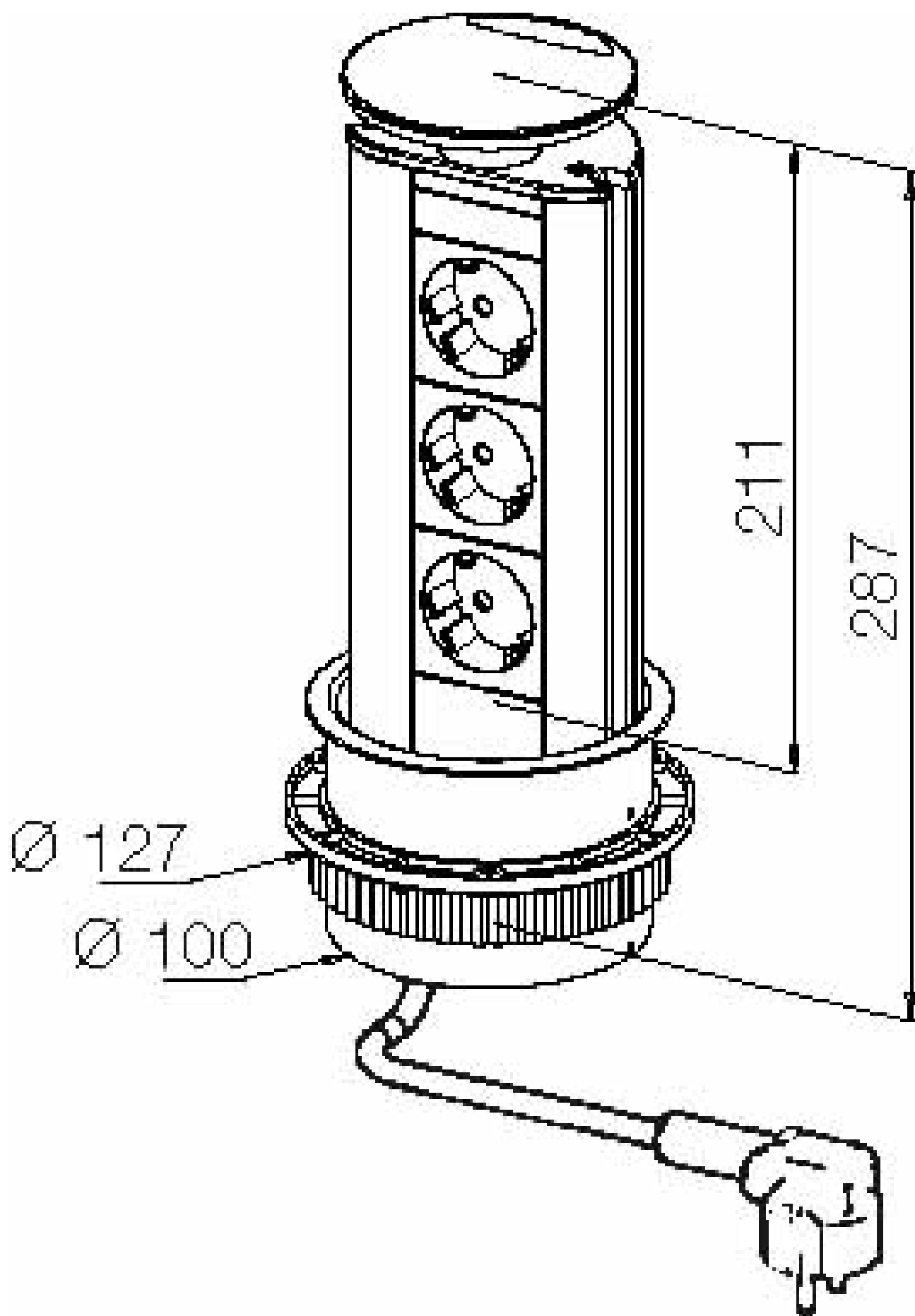


Name Electrified telescopic unit for sockets

Year

Description Electrified telescopic unit for sockets





Boffi S.p.a.

Via Oberdan, 70

20823 Lentate sul Seveso (MB) - Italy

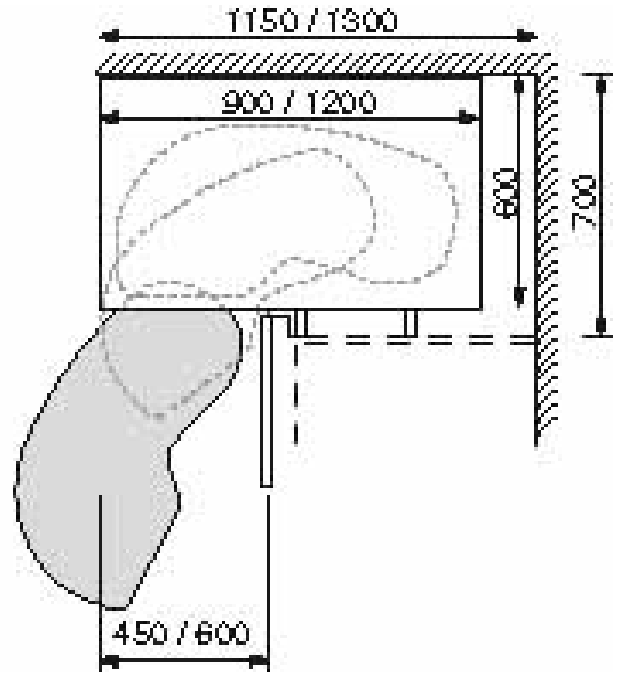
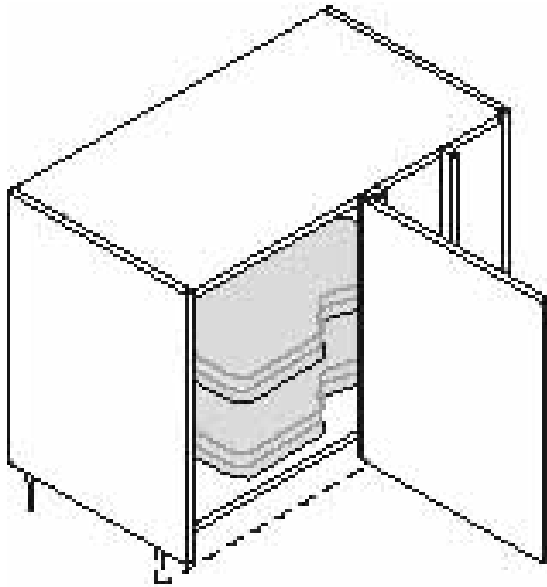
p.iva IT 02642250969



Name FLY MOON linear corner base unit

Year

Description FLY MOON linear corner base unit



Boffi S.p.a.

Via Oberdan, 70

20823 Lentate sul Seveso (MB) - Italy

p.iva IT 02642250969



Name Equipped Track

Year

Description

An ergonomic revolution is required with the development of island kitchens: depth increasing and need to equip perfectly and in a complete way all working areas on the countertop. For this reason, an equipped track, positioned in the back of cooking and washing areas, has been introduced.

It is available in specific modules and can be equipped with accessories of Inside series: cutlery trays, knives holders, spice holders, oil bottle holder, electric sets with hidden sockets.

Some sliding lids cover and protect all inserts and components inside the track.

An up and down (down-draft) suction area is integrated and totally hidden in the back section of the cooking zone.

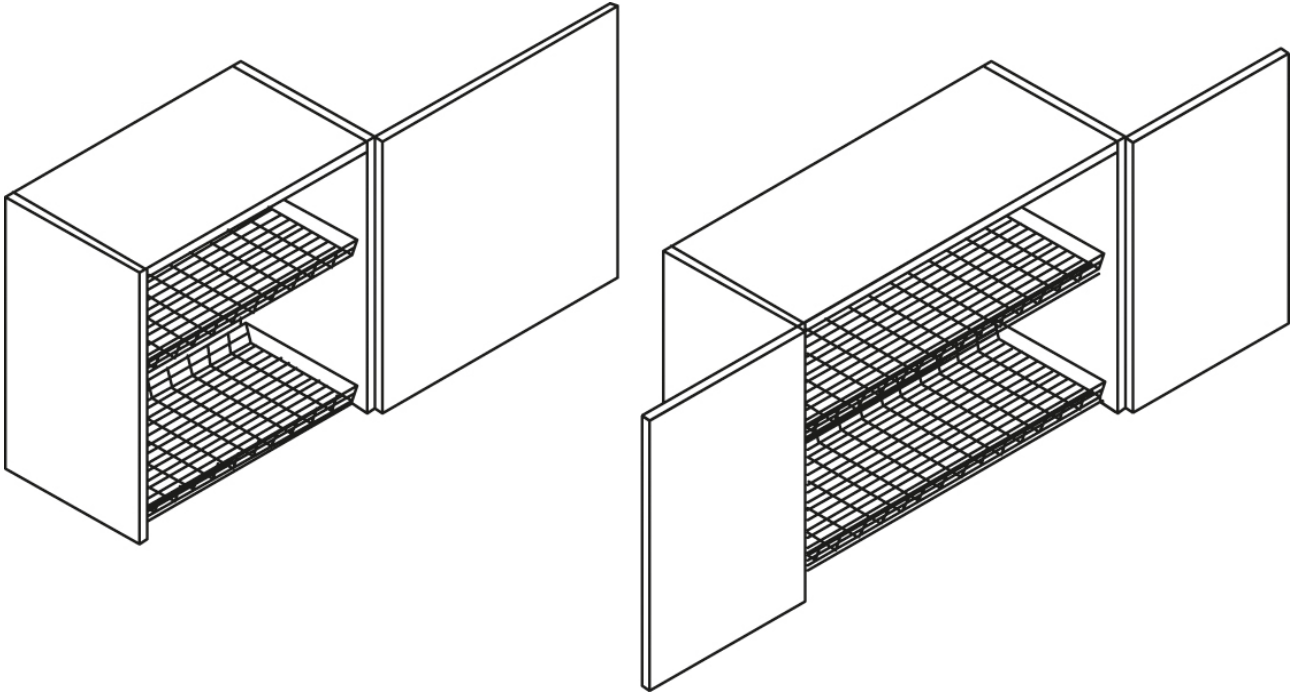
A hanging utensil bar with integrated light completes the system.



Name Wall unit with plate rack, hinged door

Year

Description Wall unit with plate rack, hinged door



Boffi S.p.a.

Via Oberdan, 70

20823 Lentate sul Seveso (MB) - Italy

p.iva IT 02642250969



Name Inside System Track

Year

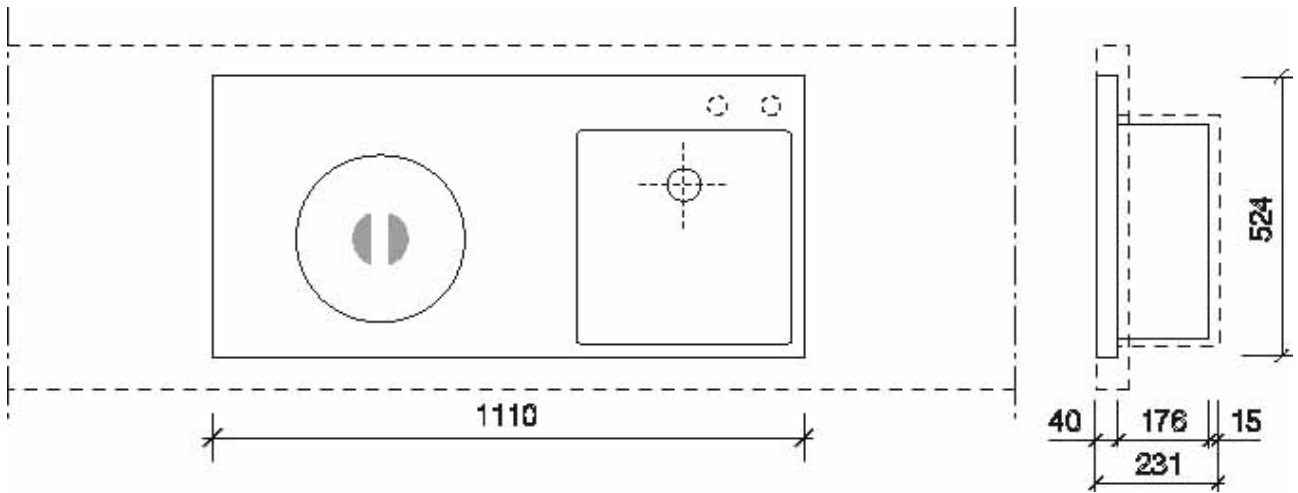
Description The equipped Inside System Track, created for Boffi kitchens, is protected by practical sliding aluminium covers that house the Inside accessories. The 2021 version is made of stainless steel painted matte black and is integrated with new elements that make the kitchen well-organised. In addition to the cutlery tray, knife holder, spice rack, and the practical cruet, there are a cutting board set and shelves that can be positioned above the LED-lit shaft.



Name Glued inset in Corian®

Year

Description Glued inset in Corian®



Boffi S.p.a.

Via Oberdan, 70

20823 Lentate sul Seveso (MB) - Italy

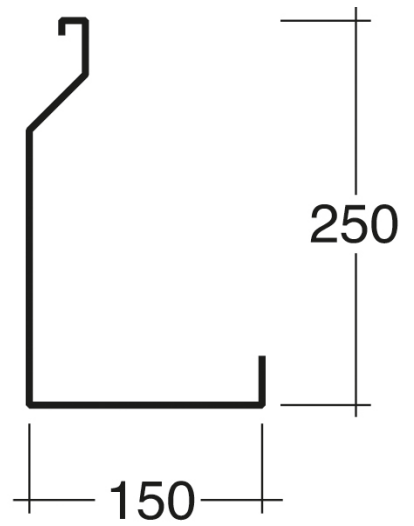
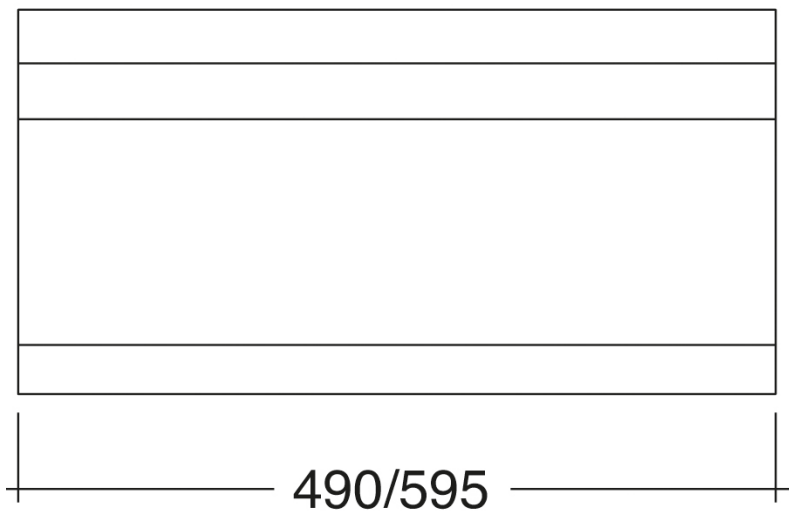
p.iva IT 02642250969



Name Rails for accessories in AISI 304 stainless steel

Year

Description Rails for accessories in AISI 304 stainless steel



Boffi S.p.a.

Via Oberdan, 70

20823 Lentate sul Seveso (MB) - Italy

p.iva IT 02642250969