

2021 _ 2

COMPLEMENTARY ITEMS AND COVERINGS

TECHNICAL MANUAL



GENERAL TERMS OF SALE BOFFI S.p.A.

IN FORCE SINCE 20.09.2021 - This price list cancels and replaces all previous ones. Boffi S.p.a. reserves itself the right to enforce any change required to products and prices in the price list herein without any previous notice.

1. Application

These General Terms govern all sale contracts stipulated by Boffi S.p.A. – Via Oberdan 70 – 20823 Lentate sul Seveso (MB), Fiscal Code No. 09696360156, VAT No. 02642250969. Placing an order with Boffi S.p.A. implies full knowledge and acceptance of the General Terms herein.

2. Acceptance of orders – Withdrawal

All orders are subject to acceptance from Boffi S.p.A., who shall reply to offerers as soon as possible.

In the event that confirmation is not made, the order shall be considered ineffective. Boffi S.p.A. shall reimburse any amount received from the offerer in connection with the order and shall not be bound to any further performance.

Pre-confirmation shall be sent to the offerer together with plans referring to the composition and possible customised items.

The offerer must check, confirm and return the aforesaid pre-confirmation to Boffi S.p.A.. Following this, Boffi S.p.A. will forward to the offerer a final confirmation document indicating the estimated goods arrangement.

The amounts paid by the offerer at the time of the order are considered as "caparra confirmatoria" (earnest money) in compliance with Art. 1385 of the Italian Civil Code. Except as otherwise provided by applicable law, either party may withdraw from the agreement in case of protested bills, seizures, attachments, registration of liens against the other party or its property, as well as in the event of other signs of financial difficulties, either temporary or permanent.

3. Changes to the order

Boffi S.p.A. reserves the right to accept or refuse any request from the purchaser about changes or additions to the original order after the order has been confirmed. In case of refusal, the modifications will not be applied and the purchaser will be bound to the order conditions previously received and accepted by Boffi S.p.A.

Changes or additions to the original order even though accepted by Boffi S.p.A. may result in variations of price for the products and lead-time modification, this shall not be cause of complaint.

4. Choice of goods. Changes

The purchaser shall verify the suitability of goods ordered, their features and dimensions with respect to the purchaser's requirements and the expected location of the goods.

Boffi S.p.A. reserves the right to modify at any time the features of its products, materials, processing techniques or suppliers. Consequently, the goods ordered may undergo modifications regarding features, design and materials. Should these modification occur, price changes may result.

5. Delivery of goods

The goods are understood to be sold "ex factory" Boffi S.p.A. in Lentate sul Seveso, unless otherwise agreed, and the purchaser shall promptly collect them at its own expense. Even if organized by Boffi S.p.A. at the request or in the interest of the purchaser, transportation is always at the latter's expense and risk.

The week of goods arrangement specified on the final order confirmation is not binding. Boffi S.p.a. undertakes to comply with it. Shipping will be forwarded in the week following the week specified on the order confirmation when the goods are ready. As for any ex works delivery, shipping should

be organised with the dealer according to when it is ready.

Boffi S.p.A. reserves the right to evaluate the transport situation of the goods, and shall incontestably add any additional cost for the crating and shipping of the goods in plain or fumigated wooden cases (according to the regulations in force in each single country), should the transport situation be judged exposed to risks of damage for the goods.

6. Terms of the goods arrangement

When the terms of the goods arrangement are expressed in days, they shall be intended as working days. Delivery terms shall be suspended during holidays. In any case, foreseen delivery terms are merely indicative and depend on the regular carrying out of the supply and production processes of both Boffi S.p.A. and its suppliers. Terms of the goods arrangement bound by economical penalty are not admitted.

7. Return of goods

Return of goods and/or packaging shall not be accepted unless previously authorized in writing by Boffi S.p.A., on a case to case basis. In the event that return of goods and packaging has been previously authorized, they shall be delivered "carriage prepaid" by the purchaser and free of any other charges, to Boffi S.p.A.'s plant, or to any other place as indicated by Boffi S.p.A.

8. Retention of title

Goods are sold with retention of title in accordance with Art. 1523 of the Italian Civil Code until the price has been paid in full. All risks shall be assumed by the purchaser upon time of delivery. The purchaser must keep the goods in perfect condition and refrain from anything that might damage or destroy them. Until full payment of the goods, the purchaser shall not sell or transfer or dispose of the goods, unless authorized in writing by Boffi S.p.A. In the event that the purchaser violates any of the above provisions, Boffi S.p.A. may request immediate payment of the balance, without prejudice to the right of Boffi S.p.A. to terminate the agreement in accordance with Art. 1456 of the Italian Civil Code.

9. Limitation of liability

Pursuant to Art. 1218 of the Italian Civil Code., both parties are exonerated from any liability in the event that their possible non-performance or delay derives from causes not accountable to them such as, solely in order to offer an example, lack of, delay in, defective or insufficient delivery of goods, materials, energy or services by suppliers, suspension of work for any reason, and duration, the breakdown or malfunctioning of machines, installations and in general any limitation of production for reasons beyond their control.

Boffi S.p.A. is not liable for any possible differences in dimensions and installations which do not appear in the plan(s) delivered by the purchaser at the time of the order and/or made after the possible visit carried out by Boffi S.p.A.'s technicians. Furthermore, Boffi S.p.A. shall not be held liable in the event that installation of the goods is in whole or in part prevented by possible defects, either clear or concealed, of the building works (walls, ceilings etc.) or of technical nature (electricity, gas, water, etc.).

10. Claims

The purchaser shall check the goods immediately after delivery and in any event before they are utilized and/or altered in any way. Any claim must be forwarded in writing by registered letter with return receipt,

with advance notice also sent via e-mail or via fax, within eight days after delivery of goods, in the case of evident defects, and within eight days of discovery in the case of concealed defects. As an express exception to Art. 1745 of the Italian civil code, when applicable, only direct claims will be considered valid. Claims sent to agents or to other intermediaries or assistants will not be held valid.

11. Guarantee

Premises:

Boffi S.p.A. ("Boffi") designs and manufactures kitchens, bathrooms, storage systems/wardrobes and furniture components ("Products"), which are purchased by the final customer ("Purchaser") from Boffi or from an authorized Boffi dealer ("Dealer"). Boffi offers Purchasers, on a voluntary basis, this commercial guarantee for each purchase of its products, according to the following terms and conditions ("Commercial Guarantee"), in addition to the Legal Guarantee intended for Purchasers ("Legal Guarantee").

The Legal Guarantee is regulated by the law of the country in which the Purchaser has his/her residence or domicile, distinguishing between (i) Purchasers acting as professionals, i.e. buying the Products for purposes related to their entrepreneurial, commercial, artisan or professional activity; and (ii) Purchasers acting as consumers, i.e. buying the Products for purposes not related to their entrepreneurial, commercial, artisan or professional activity.

As an example, in the case of a professional Purchaser, the applicable Legal Guarantee is represented by the warranty for defects provided for by art. 1490 et seq. of the Italian Civil Code, or, in the case of a consumer Purchaser, if the latter is resident or domiciled in Italy, the applicable Legal Guarantee is represented by the warranty for defective products and by the legal guarantee of conformity provided for respectively by articles 114 and 128 et seq. of Legislative Decree no. 205/2006.

In no way does this Commercial Guarantee violate or limit the Legal Guarantee, applicable each time in favour of the Purchaser.

Activation of the Commercial Guarantee:

Each Purchaser is liable to request the activation of the Commercial Guarantee from Boffi or the Dealer, depending on who supplied the Products, by filling in the relative certificate that is available online.

The certificate shall be completed with Purchaser's identification and contact data, the list of the main Products purchased, providing all the additional information required, in a correct and truthful way ("Certificate"). Upon request of the Purchaser, Boffi, or the Dealer, shall provide to him/her, within 6 (six) months from the purchase of the Products, a printed copy of the Certificate, duly filled in every part and indicating a numbered certification protocol, together with the customised product data sheets, containing all technical features and use / ordinary maintenance instructions concerning the purchased Products ("Product Data Sheet"). The Purchaser must verify that the Certificate contains the correct identification data, the complete list of the purchased Products and that is delivered together with the relative Product Data Sheets.

In case of lack of Certificate or in case of Certificate with incomplete, wrong or untrue information, the Commercial Guarantee will be non enforceable to the purchase of Boffi Products. In this case, the Purchaser will only rely on the Legal Guarantee, if applicable.

Subject matter:

The Commercial Guarantee covers any manufacturing defects (existing at the moment of the product delivery - "Defects") that concern any element of the Products designed and manufactured by Boffi and sold directly by Boffi or by the Dealer to the Purchaser. The Commercial Guarantee does not cover defects occurring after the delivery of the Products to the Purchaser, or rather caused by the fault of the latter or of third parties.

The Commercial Guarantee provides each Purchaser with the right to request the free-of-charge replacement or repair of those elements of the Products that are considered defective. Only Boffi, the Dealer or the authorized personnel delegated by them for this purpose can verify and ascertain a true defect, during the installation/testing or following a complaint (as indicated in the following paragraph). Any inspection at Purchaser's site does not constitute an admission of the existence of the Defect by Boffi or by the Dealer.

The Purchaser can benefit from the Commercial Guarantee only if he/she notifies the possible Defect to the Dealer (or Boffi, in case of purchase directly from Boffi), in writing, providing any useful or necessary information and sending any photos of it, within and no later than 8 (eight) days in case of professional Purchaser or 60 (sixty) days in case of consumer Purchaser, starting from its discovery - providing all relative indications on it.

The Commercial Guarantee is limited to the Products manufactured by Boffi only and does not cover:

- damages caused by leaks or malfunctioning to objects, materials or any other element that is not part of the Boffi Product covered by the Commercial Guarantee;
- disassembly and reassembly of the Product to be replaced or repaired and of all the furniture or structural parts that might be related to it;
- transport costs of the product to be replaced or repaired and of the new or repaired product.

It is understood that the following are not considered Defects:

- a) possible differences in colour and grain when using pieces made of veneered wood assembled with pieces made of solid wood of the same species;
- b) possible differences in planarity in compositions where doors, panels, tops and/or other elements made with different construction techniques and/or materials are used side by side;
- c) any possible technical or natural characteristics or features of natural stones used for the Products and their elements, as indicated in the Product Sheets and/or in any further illustrative and descriptive documentation of the material delivered by Boffi or by the Dealer to the Purchaser and/or otherwise communicated to the latter.

Duration:

The Commercial Guarantee covers Defects that occur within 3 (three) years from delivery of the Products, as defined here below. The delivery of the Products takes place: (1) upon installation of the Products at the place of destination indicated by the Purchaser, if the installation is included in the offer or in the supply agreement of the Products signed between Boffi or the Dealer and the Purchaser, or, (2) upon delivery of the Products to the carrier or to the consignee indicated by the Purchaser, if the transport and/or installation are not included in the offer or in the supply agreement of the Products signed between Boffi or the Dealer

and the Purchaser.

In case the installation of the Products is included in the offer or in the supply agreement of the Products signed between Boffi or the Dealer and the Purchaser, and, due to a fault not attributable to Boffi or the Dealer, the installation is postponed even though the Products are declared by Boffi as "ready for delivery", the term of the Commercial Guarantee has a start date after 6 (six) months from the date of the transport bill issued by Boffi.

Exclusions:

The Commercial Guarantee shall not be applicable and expire in the event of:

- defects or damage deriving from fair wear and tear of the Products (or components thereof);
- defects or damages deriving from the improper use of the Products (or components thereof) and from the failure to follow use, maintenance and cleaning instructions included in the Product Data Sheet;
- inevitable small tone variations on all materials and finishes over time, due to exposure to natural or artificial lighting, to fumes or to natural ageing process, which may be more evident in case of following furniture element additions after the first supply of the Products;
- defects or damage caused by wood-worm, long-term use of the Products (or components thereof) in unsuitable environments with excessive heating or humidity or other abnormal climatic conditions;
- defects or damage caused by mishandlings, modifications, alterations or repairs of the Products (or components thereof) made by the Purchaser or any third parties;
- defects or damages due to faulty installation of the Products (or components thereof), when the installation is not included in the offer or in the supply agreement between Boffi or the Dealer and the Purchaser, and to plumbing and electrical connections carried out by non-specialized personnel and/or not in compliance with the regulations in force in the Country;

- defects or damages caused by the transport of the Products (or components thereof), if transport is not included in the supply agreement between Boffi or the Dealer and the Purchaser;
- defects or damages deriving from disassembly, assembly and installation, alterations and modifications to the Products (or components thereof) when done by the Purchaser without Boffi's express authorization;
- defects or damages to elements and/or structures/cabinets that house electrical appliances, if not installed by Boffi or by the Dealer;
- defects or damages deriving from the use of goods produced by third suppliers, not supplied by Boffi.

Extension:

The Commercial Guarantee is extended to spare parts and to previously substituted product parts, if any, whose Commercial Guarantee shall expire at the same time as the original guarantee.

Electrical appliances:

Household appliances are elements independent from the composition in which they are installed, with their own function and can be distinguished in: (1) "Electrical Appliances design Boffi" which are produced, customised and sold by Boffi and are included in the "Boffi kitchen price list"; or (2) "recommended electrical appliances" which are produced by specialised companies and exclusively sold by Boffi and are included in the "recommended electrical appliances and sinks price list". The appliances listed in point (1) are included in this Commercial Guarantee. On the other hand, the appliances listed in point (2) are excluded from this Commercial Guarantee and are covered by the manufacturer's guarantee only, which must be referred to for any defect found, since any and all responsibility of Boffi and/or the Dealer for anomalies or defects referring to these electrical appliances is expressly excluded.

12. Price

For deliveries that are made within 150 days from the order, the price agreed upon is not subject to variations, except when modifications, as described in point 3 above, have been requested by the purchaser. For deliveries beyond that time limit, the price may be increased in the event of increases in costs of raw materials, services or labour or in prices of Boffi S.p.A.'s suppliers and in proportion thereto. Boffi S.p.A. shall promptly notify the purchaser of such increase and, in the event that the price has been increased by more than 10%, the purchaser shall be entitled to withdraw from the agreement, for the portion not yet performed, within ten days from receipt of the above notice.

All prices are listed in price-codes: the recommended retail price is in Euro and is obtained by multiplying the price code (P) specified on the price list by the coefficient "K" according to commercial terms and conditions. To order spare parts please use Boffi List of Spare Parts

13. Payment

Payments must be made to Boffi S.p.A.'s domicile or elsewhere as indicated in the invoice on their maturity dates and in accordance with the terms and conditions indicated in the invoice. Issue of promissory notes or acceptance of drafts by purchaser shall not determine a change in the place of payment.

14. Outstanding amounts

Interest on arrears shall be applied at the rate as provided in Art. 5 of Legislative Decree No. 231/2002 of Italian Law, except in the case that the purchaser is a consumer (that is a natural person which purchases goods for purposes not connected with his professional activity), which would result in the application of the legal interest as provided by Art. 1284 of the Italian civil code. Non-payment or partial payment shall entitle Boffi S.p.A. to suspend performance of the

order and entails the automatic extension of terms of the goods arrangement. Boffi S.p.A. retains the right to terminate the contract for purchaser's non-performance pursuant to Art. 1453 and following of the Italian civil code.

15. Boffi S.p.A.'s general terms of purchase to prevail

The general terms of sale herein shall prevail over any general terms of purchase or sale of the purchaser which will, therefore, not be applicable, even if known to Boffi S.p.A.

16. Applicable law and place of jurisdiction

The agreement between the purchaser and Boffi S.p.A. is governed by Italian law. For any controversy connected with the agreement, the exclusive place of jurisdiction is the Court of Milan, Italy, unless otherwise provided by law.

ADDITIONAL CONDITIONS AND DETAILS

Guarantee Certificate

As per sales conditions, the Dealer is requested to access the restricted area of the website www.boffi.com and fill the guarantee certificate related to the order within six months from the invoice date, activating in this way the 3-years guarantee by Boffi.

Feasibility requests for non-standard or custom products

All products that are not listed in the price list or that are non-standard and therefore custom, require the Boffi's approval through a feasibility check. In order to activate this procedure the Customer should send a request to the Boffi commercial department (commercial correspondent), specifying always the project reference, the project manager in the showroom and attaching complete drawings of the project. The feasibility request will be then registered into the system and Boffi will provide a progressive register number assigned to it. Each request will be analysed and answered with technical comments, details, price and timing information and has a validity of 3 months. All requests will be processed in the shortest time possible, that may vary according to the feasibility complexity.

At the moment of the order all correspondence related to the custom product feasibility approval should be attached, including the specification of its feasibility number, date and client reference.

All products not available on the pricelist, non-standard or custom must always be approved by a feasibility before sending the order. Orders containing any customised products whose feasibility has not been approved or orders missing the relative feasibility documentation will inevitably encounter delays in their processing and eventually in the total lead-time needed for production. This fact is out of Boffi's control and responsibility and shall not be cause of complaint.

Product sheet

Along with the pdf of the order confirmation document, the Dealer will receive a "Product Sheet" pdf which is to be forwarded to the end user. This information sheet includes a description of all the materials used in the composition, all technical specifications, finishes and recommendations for a correct maintenance and cleaning of the product. Boffi S.p.a. has developed an all-purpose cleaning product: the Boffi "Clean Set". This package will be included free of charge in every order including worktops by Boffi. The Boffi Clean Set package is available for further re-order.

Installation and use

Boffi S.p.a. recommends, before any installation, to download from the website www.boffi.com the installation instructions for the product you are installing. Boffi S.p.a. is not liable for problems depending on incorrect

installations and improper use, both of goods manufactured by Boffi and of goods manufactured by authorized third-party suppliers. Boffi S.p.a. is not liable for direct and indirect damages suffered by the customer and depending on from incorrect installation, negligence, improper use, non-use of the product, use of the product in unsuitable environments, excessive heat or humidity or other climatic agents.

Plans and descriptions

Plans and descriptions included in the list are indicative. All sizes are expressed in millimetres. Depths include door thickness (23 mm) and do not include handles. Dimensions are nominal and depend on the physical limitations of the various materials.

Orders

To provide for an efficient order processing, please comply with the following guidelines:

- Use 'Boffer' software to provide any price estimate and forward its pdf to Boffi.
- Include a pdf with clear and complete plan and elevations of the composition.
- Specify whether the doors are left- or right-hand and requests for units with finished side panels.
- Any customization not related to a specific code requires a feasibility process that must be requested during the design process by the Dealer. The estimate and communication received from Boffi must be always enclosed to order.

- Orders received far in advance and including long delivery date will be confirmed within 3 months of the date of receipt and will be delivered once the goods are ready. Prices in force at the time of the order confirmation will be applied.
- Please always specify the requested delivery week. The orders are entered in compliance with their arrival date at Boffi.

Waiting times to process any order and to send out the order confirmation depend on the company workload at that specific time of the year and on the accuracy of the information supplied by the customer.

Handling

The packaging of some items can be very large. Please always carefully inspect and check the accessibility of the installation site. Complaints about failed deliveries due to the lack of a preventive site inspection will not be accepted.



CERTIFICATIONS OF BOFFI S.p.A.



UNI EN ISO 9001:2015

The Certification of the Quality Management System.

ISO 9001 is an International Standard that gives requirements for an organization's quality management system. It is aimed at any type of public or private organization, of any sector and size, manufacturing products or providing services.

The main goal of ISO 9001 is customer's satisfaction with the products and services provided, as well as continuous improvement of the company's performance, enabling the certified company to guarantee to its customers the maintenance and improvement of the quality of its own goods and services.

From this point of view, the ISO 9001 model is a strategic tool that focuses on:

- context and stakeholder assessment
- risk and opportunity assessment as a basis for defining appropriate actions
- cost control
- increased productivity
- resource wasting reduction.

The achievement and maintenance of this certification, made possible by the commitment and perseverance of all company offices involved, testifies to the continued research into ever-increasing levels of quality in company management systems.

A copy of the Quality Certification can be downloaded from the corporate website www.boffi.com

UNI EN ISO 14001:2015

Environmental management systems.

Sustainability is an integral part of the values, culture, creativity, technology and entrepreneurship by Boffi and cuts across all planning decisions, production and testing. The goal of continuously improving of environmental, social and economic sustainability is the result of a strong Boffi synergy with its employees, the territory, designers, suppliers, customers and end markets in which it operates.

The management system operated by Boffi Spa is compliant with the standard UNI EN ISO 14001:2015 for the following activities: design and manufacturing of kitchen, bathroom, system furniture and furnishings for living and sleeping areas (panel sawing, edging, drilling, varnishing, assembly and packaging. Thermal energy production from wood chips).

The Boffi challenge is based on the idea of creating 'sustainable' designs by improving their environmental and social performance through innovation not only in products and services, but also in the production, behavioural and business management systems.

A copy of the Quality Certification can be downloaded from the corporate website www.boffi.com

CISQ

Italian Certification of the Quality Management System.

Independent Federation of the most important Italian Certification Bodies, active in all production and services fields, from industry to agri-food and distribution, from business and professional services, to public and social services.

CISQ is the sole Italian member of IQNet, the largest International Network of Certification Bodies: it operates in the field of management systems (ISO 9001, ISO 14001, BS OHSAS 18001, etc.). All the companies certified by the CISQ bodies (ICILA) receive the pertaining certificate along with the IQNet certificate and the IQNet QMS mark, which is a valuable "international passport".

IQNet

The International Certification Network.

It is the largest global network of certification organism operating in the field of certification of management systems for quality, environment, safety and social responsibility. Founded in 1990, it currently has 33 certifications operating in more than 150 countries with more than 350,000 certificates issued worldwide.

Index

WORKS 2014 - SHELVING SYSTEMS / TROLLEYS	7
CTLINE - UNITS	8
CTLINE - ORDER EXAMPLES	10
CTLINE TERMO - RADIATOR	11
BOCCIA - LIGHTING	14
T18 - LIGHTING	15
T18 - ORDER EXAMPLES	16
GIÒ - LIGHTING	21
GIÒ WALL - LIGHTING	22
L.O.P. - LIGHTING	23
NAVIGLIO - LIGHTING	24
OUTLINER - LIGHTING	25
BULBS	26
ART - MIRRORS	27
MINIMAL-AIR - CEILING FANS	28
MINIMAL-AIR ST - CEILING FANS	30
MINIMAL - FIRE EXTINGUISHERS	32
ORIGINE - FITNESS	33
SYMBOLS	36
COVERINGS	37
COVERINGS - ORDER EXAMPLES	38

**L = Width
P = Depth
H = Height
Pr = Price code**

C o m p l e m e n t a r y i t e m s

WORKS 2014 - SHELVING SYSTEMS / TROLLEYS
Design Piero Lissoni - 2014



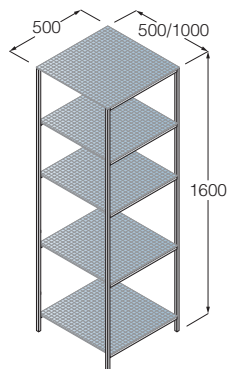
Shelving systems and trolleys in stainless steel, with structure in 15x15 mm profile. Shelves in transparent wired glass, th. 6 mm.

C o m p l e m e n t a r y i t e m s

WORKS 2014 - SHELVING SYSTEMS / TROLLEYS
Design Piero Lissoni - 2014

Transparent wired glass

WORKS 2014 - Shelving system.

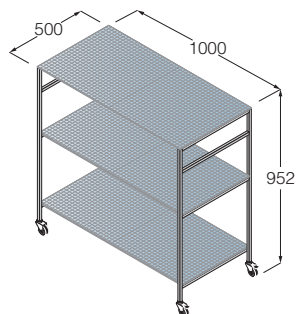


- 5 shelves.

L P H

Transparent wired glass.	500	500	1600	GPAD07
Transparent wired glass.	1000	500	1600	GPAD08

WORKS 2014 - Trolley.



- 3 shelves.
- 4 castor wheels, 2 with brakes.

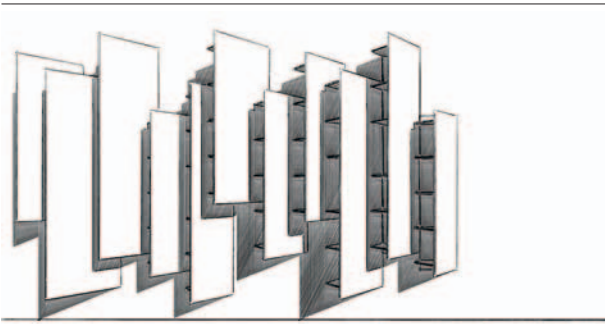
L P H

Transparent wired glass.	1000	500	952	GNAQ05
-------------------------------	------	-----	-----	---------------

L = Width
P = Depth
H = Height
Pr = Price code

C o m p l e m e n t a r y i t e m s

CTLINE - UNITS
Design Victor Vasilev - 2012



Wall modular units: decorating solution for walls, which can be personalised by the designer thanks to different module combinations.

The cabinets are made of white "solid surface" or of black PaperStone®, 9 mm thick. The units are reversible, which means that can be installed with open-faced compartment on left or right side.

Solid surface: a very resistant and velvet-like-effect material, composed by natural minerals, acrylic polymers and pigments.

PaperStone®: 100% eco-friendly matt material, extremely resistant. Made from recycled paper, natural phenolic resin and pigments.

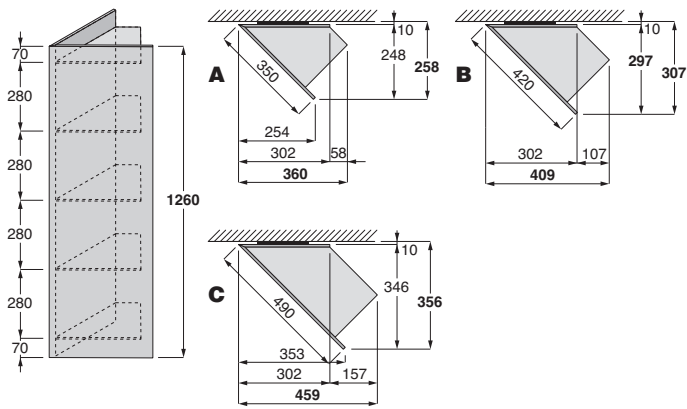
The surface in PaperStone® may sporadically present small white speckles: this is a peculiarity of the material which is totally made of recycled paper, natural phenolic resins and natural colours. This characteristic cannot be considered cause for a complaint.

C o m p l e m e n t a r y i t e m s

CTLINE - UNITS
Design Victor Vasilev - 2012

Solid Surface	PaperStone®
---------------	-------------

CTLINE - Single unit, wall-mounted - H 1260 mm



- 5 shelves.
- Solid surface: white
- PaperStone®: black.
- Capacity of each shelf: max 10 Kg (distributed).

	L	P	H	
A	360	258	1260	CCDDB036
B	409	307	1260	CCEDB040
C	459	356	1260	CCFDB045

L = Width
P = Depth
H = Height
Pr = Price code

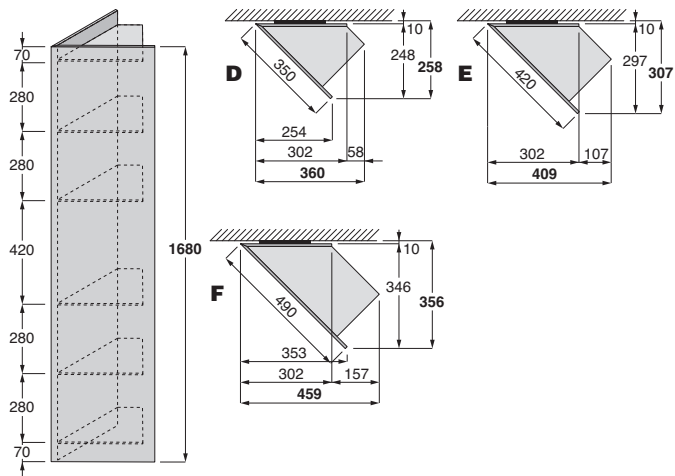
Complementary items

CTLINE - UNITS
Design Victor Vasilev - 2012

Solid Surface

PaperStone®

CTLINE - Single unit, wall-mounted - H 1680 mm.

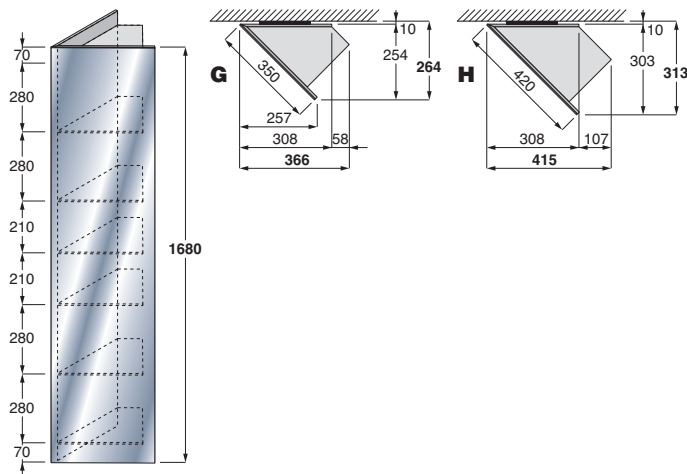


- 6 shelves.
- Solid surface: white
- PaperStone®: black.
- Capacity of each shelf: max 10 Kg (distributed).

L P H

D.....	360	258	1680	CCGDB036
E.....	409	307	1680	CCHDB040
F.....	459	356	1680	CCIDB045

CTLINE - Single unit, wall-mounted, with MIRROR - H 1680 mm.



- 7 shelves.
- Solid surface: white
- PaperStone®: black.
- Capacity of each shelf: max 10 Kg (distributed).

L P H

G.....	366	264	1680	CCGDC036
H.....	415	313	1680	CCHDC040

Complementary items

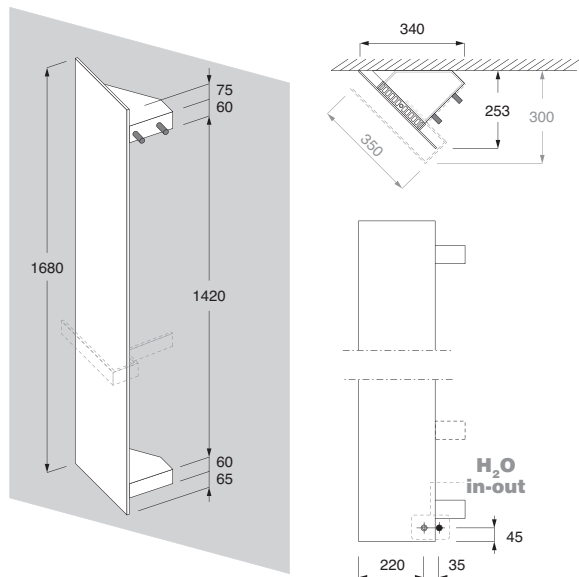
CTLINE TERMO - RADIATOR
Design Victor Vasilev - 2014

Versions: WHITE Ral 9003 / SPECIAL COLOUR (colour to be chosen only from CTLINE TERMO special colours chart).
UNI EN 442.

It's possible to match 2 or more radiators creating compositions.

Pr

CTLINE TERMO - Radiator, hot water version.

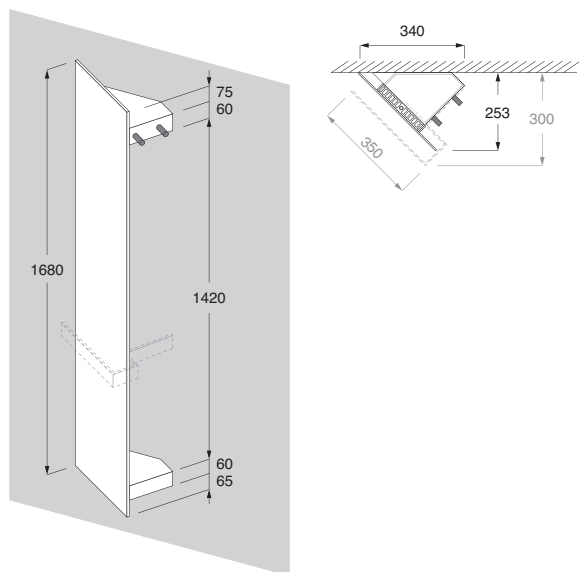


- Material: 95% aluminium + 5% steel, painted with epoxy powders.
- Water content: 0,905 lt.
- Weight: 25 kg.
- Thermal performance (Δt 50): 507 watt / 436 Kcal/h / 1730 BTU.
- Connections: 1/2" (valve and lockshield valve excluded).
- With two bathrobe hooks - Optional towel holders, to be ordered separately.
- Reversible.

L P H

White RAL 9003.....	340	253	1680	CCGDF036
Special colour.....	340	253	1680	CCGDW036

CTLINE TERMO - Electrical radiator.



- Material: 95% aluminium + 5% steel, painted with epoxy powders.
- Weight: 25 kg.
- Thermal performance - absorption: max 500 watt (resistance without liquids).
- Voltage: 230 V - 50 Hz (Europe).
- With two bathrobe hooks - Optional towel holders, to be ordered separately.
- Reversible.

L P H

White RAL 9003 - Europe version.....	340	253	1680	CCGDE036
Special colour - Europe version.....	340	253	1680	CCGDV036

L = Width
P = Depth
H = Height
Pr = Price code

Complementary items

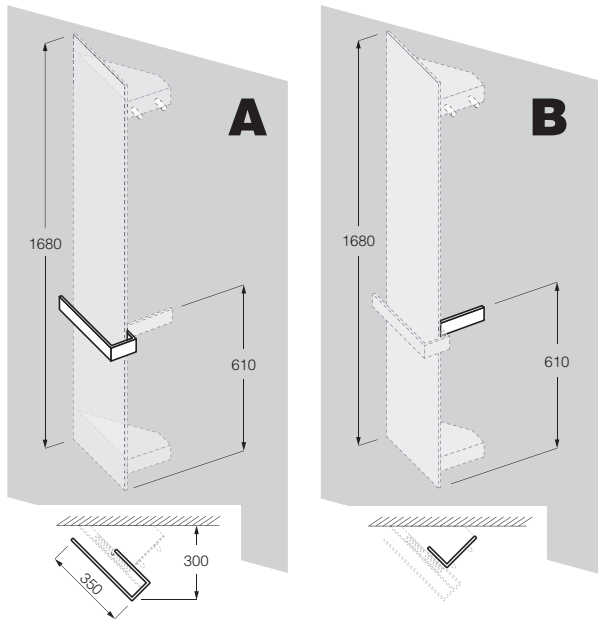
CTLINE TERMO - RADIATOR
Design Victor Vasilev - 2014

Versions: WHITE Ral 9003 / SPECIAL COLOUR (colour to be chosen only from CTLINE TERMO special colours chart).
UNI EN 442.

It's possible to match 2 or more radiators creating compositions.

Pr

CTLINE TERMO - Towel holder.



- Material: aluminium painted with epoxy powders.
- Optional accessory.
- Compatible with radiator - working with hot water or electric.
- Reversible.
- It's possible to have both towel holders or one only, according to designer's choice.

	L	P	H	
Type A - External - White RAL 9003.	-	-	-	KVNSV02
Type A - External - Special colour.	-	-	-	KVNSV04
Type B - Internal - White RAL 9003.	-	-	-	KVNSV01
Type B - Internal - Special colour.	-	-	-	KVNSV03

CTLINE TERMO - Set of straight valves.



- Composed of valve + lockshield valve (G 1/2").
- Compatible only with radiator, that works with hot water.
- ø 12 / 15 / 16 mm connections for copper pipe and ø 12 / 16 mm connections for multilayer pipe.

	L	P	H	
Chromium-plated.	-	-	-	AVHW01C
White.	-	-	-	AVHW01B

CTLINE TERMO - Thermostatic head.



- Compatible with CT LINE TERMO valve kit.
- It sets the water internal temperature.

	L	P	H	
Chromium-plated.	-	-	-	AVHX01C
White.	-	-	-	AVHX01B

L = Width
P = Depth
H = Height
Pr = Price code

Complementary items

CTLINE TERMO - RADIATOR

Special colour chart.

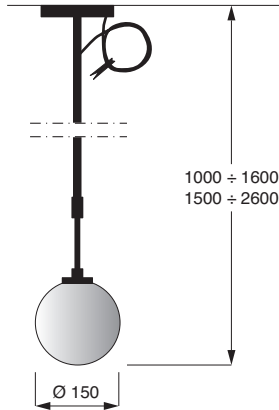
A = MATT finish.

B = GLOSS finish.

		
RAL 8011 A B	RAL 7035 A B	RAL 3015 B
		
RAL 1001 A B	RAL 9006 A B	RAL 4006 B
		
RAL 1015 A B	RAL 7042 A B	RAL 3004 B
		
RAL 9001 A B	RAL 7044 A B	RAL 3017 B
		
RAL 1013 A B	RAL 7006 A B	RAL 4012 B
		
RAL 1019 A B	RAL 7013 A B	RAL 3012 B
		
RAL 7032 A B	RAL 7015 A B	RAL 4002 B
		
RAL 7008 B	RAL 9005 A B	RAL 4009 B
		
RAL 7034 B	RAL 8019 B	RAL 4001 B
		
RAL 6005 B	RAL 6027 B	RAL 3003 B
		
RAL 6029 B	RAL 5012 B	RAL 3000 B
		
RAL 6018 B	RAL 5017 B	RAL 2003 B
		
RAL 6019 B	RAL 5002 B	RAL 1034 B
		
RAL 6013 A B	RAL 5014 A B	RAL 1017 B
		
RAL 6017 A B	RAL 5023 A B	RAL 1021 B
		
RAL 6011 A B	RAL 5024 A B	RAL 1016 B
		
RAL 6010 A B	RAL 5007 A B	

L = Width
P = Depth
H = Height
Pr = Price code

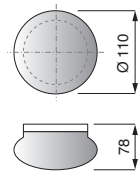
BOCCIA - Pendant lamp.



- Diffusor: opal glass.
- Rod: anodised aluminium, matt black
- Telescopic height adjustment. After regulation the exceeding cable can be rolled up and clipped with a black clip provided.
- Lighting: halogen G9 max 60 W.
- Voltage: 220 ÷ 230 V - 50 Hz (Europe) / 110 ÷ 125 V - 60 Hz (USA).
- Colour temperature: 2700 K.
- Colour rendering index (CRI): 85.

	L	P	H	
H min 1000 / max 1600 mm - Europe version.....	-	-	-	GMOC09
H min 1000 / max 1600 mm - USA version.....	-	-	-	GMOC10
H min 1500 / max 3000 mm - Europe version.....	-	-	-	GMOC11
H min 1500 / max 3000 mm - USA version.....	-	-	-	GMOC12
Diffusor in opal glass, spare part.....	-	-	-	ASR011

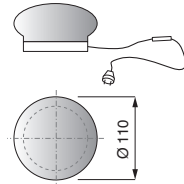
BOCCIA - Wall lamp.



- Diffusor: opal glass.
- Support: white painted aluminium.
- Lighting: halogen G9 max 40 W - LED Edison dimmable 10 W.
- Voltage: 220 ÷ 230 V - 50 Hz (Europe) / 110 ÷ 125 V - 60 Hz (USA).
- Colour temperature: 2700 K.
- Colour rendering index (CRI): 85.

	L	P	H	
Halogen lighting - Europe version.....	-	-	-	GMOC01
Halogen lighting - USA version.....	-	-	-	GMOC02
LED lighting - Europe version.....	-	-	-	GMOC03
LED lighting - USA version.....	-	-	-	GMOC04
Diffusor in opal glass, spare part.....	-	-	-	ASR010

BOCCIA - Table lamp.

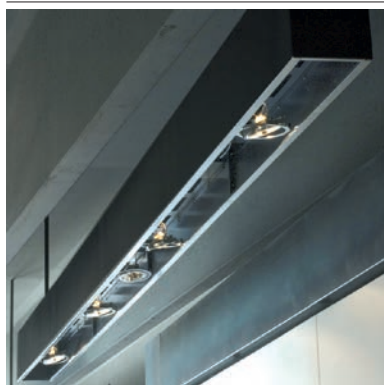


- Diffusor: opal glass.
- Support: white painted aluminium.
- Lighting: halogen G9 max 28 W - LED Edison dimmable 10 W.
- Light switch: On the cable.
- Socket: 10 A (Italy).
- Voltage: 220 ÷ 230 V - 50 Hz (Europe) / 110 ÷ 125 V - 60 Hz (USA).
- Colour temperature: 2700 K.
- Colour rendering index (CRI): 85.

	L	P	H	
Halogen lighting - Europe version.....	-	-	-	GMOC05
Halogen lighting - USA version.....	-	-	-	GMOC06
LED lighting - Europe version.....	-	-	-	GMOC07
LED lighting - USA version.....	-	-	-	GMOC08
Diffusor in opal glass, spare part.....	-	-	-	ASR010

Complementary items

T18 - LIGHTING
Design C.R.S. Boffi - 2006



Modular lighting system, composed by electrified elements with low consumption. Finishes (modules and rods): metal, white or black painted.

The spotlights inside the modules are magnetically set and are adjustable. Europe version: max. 4 spotlights can be positioned in a 1200 mm. module (not in corner modules usable) and max 1 spotlight in a 500 mm. module. USA version: max. 4 spotlights can be positioned in a 1200 mm. module (not in corner modules usable) and max 1 spotlight in a 500 mm. module.

Spotlight typologies: concentrated light (with 24° light cone) - diffused light (with 45° light cone). Spotlights are to be ordered separately.

Installation possibilities: PENDANT (fix with supporting metal rods, adjustable height min 500 / max 2000 mm) - CEILING (ceiling fixed) - BUILT-IN (totally recessed). The electrified elements can be modulated with mechanical tightening.

Max power in single module: Europe version max 250 W - USA version max 150 W. Voltage: 230 V - 50 Hz (Europe) / 110 V - 60 Hz (USA).

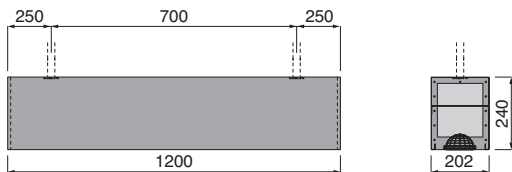
Complementary items

T18 - LIGHTING
Design C.R.S. Boffi - 2006



Pr

T18 - Electrified module for spotlights, pendant/ceiling version. - SINGLE USE.

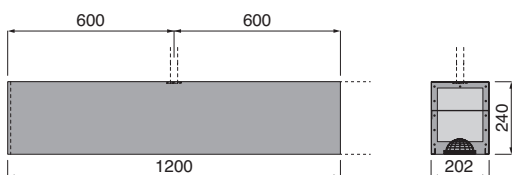


- Finishes: white painted - black painted.
- 2 end caps.
- 2 holes for rods.
- Europe version: max 4 spotlights (to be ordered separately).
- USA version: max 3 spotlights (to be ordered separately).

L P H

Europe version.	1200	202	240	GMTU01
USA version.	1200	202	240	GMTU10

T18 - Electrified module for spotlights, pendant/ceiling version. - END USE.

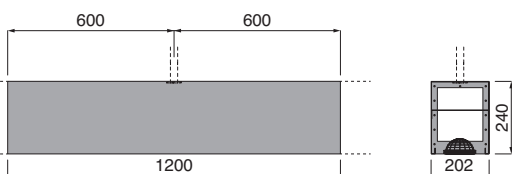


- Finishes: white painted - black painted.
- 1 end cap.
- 1 hole for rod.
- Europe version: max 4 spotlights (to be ordered separately).
- USA version: max 3 spotlights (to be ordered separately).

L P H

Europe version.	1200	202	240	GMTU02
USA version.	1200	202	240	GMTU11

T18 - Electrified module for spotlights, pendant/ceiling version. - MIDDLE USE.



- Finishes: white painted - black painted.
- 1 hole for rod.
- Europe version: max 4 spotlights (to be ordered separately).
- USA version: max 3 spotlights (to be ordered separately).

L P H

Europe version.	1200	202	240	GMTU03
USA version.	1200	202	240	GMTU12

T18 - Electrified module for spotlights, pendant/ceiling version. - MIDDLE USE.



- Finishes: white painted - black painted.
- WITHOUT hole for rod.
- Europe version: max 4 spotlights (to be ordered separately).
- USA version: max 3 spotlights (to be ordered separately).

L P H

Europe version.	1200	202	240	GMTU04
USA version.	1200	202	240	GMTU13

L = Width
P = Depth
H = Height
Pr = Price code

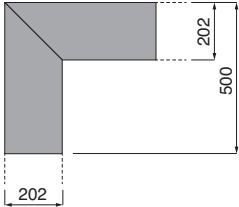
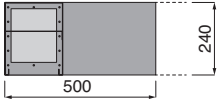
C o m p l e m e n t a r y i t e m s

T18 - LIGHTING
Design C.R.S. Boffi - 2006



Pr

T18 - Electrified module for spotlights, pendant/ceiling version. - 90° ANGLE.

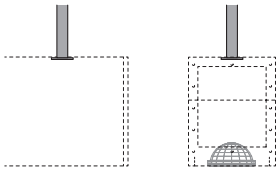


- Finishes: white painted - black painted.
- WITHOUT hole for rod.
- Spotlight cannot be fitted.

L P H

Europe version.....	500	500	240	GMTU05
USA version.....	500	500	240	GMTU14

T18 - Rod.



- Required ONLY for PENDANT version.
- Finishes: white painted - black painted.
- Ø 22 mm. metal finished rod
- Height adjustable: min 500 / max 2000 mm.

L P H

Price per linear metre.....	-	-	-	ASFA001
-----------------------------	---	---	---	----------------

**L = Width
P = Depth
H = Height
Pr = Price code**

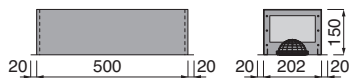
Complementary items

T18 - LIGHTING
Design C.R.S. Boffi - 2006



Pr

T18 - Electrified module for spotlights, built-in version. - SINGLE USE.



- Finishes: white painted - black painted.
- 2 end caps.
- 1 spotlight max (to be ordered separately).

L P H

Europe version.	500	202	150	GMTU06
USA version.....	500	202	150	GMTU15

T18 - Electrified module for spotlights, built-in version. - SINGLE USE.



- Finishes: white painted - black painted.
- 2 end caps.
- Europe version: max 4 spotlights (to be ordered separately).
- USA version: max 3 spotlights (to be ordered separately).

L P H

Europe version.	1200	202	150	GMTU07
USA version.....	1200	202	150	GMTU16

T18 - Electrified module for spotlights, built-in version. - END USE.



- Finishes: white painted - black painted.
- 1 end cap.
- Europe version: max 4 spotlights (to be ordered separately).
- USA version: max 3 spotlights (to be ordered separately).

L P H

Europe version.	1200	202	150	GMTU08
USA version.....	1200	202	150	GMTU17

T18 - Electrified module for spotlights, built-in version. - MIDDLE USE.



- Finishes: white painted - black painted.
- Europe version: max 4 spotlights (to be ordered separately).
- USA version: max 3 spotlights (to be ordered separately).

L P H

Europe version.	1200	202	150	GMTU09
USA version.....	1200	202	150	GMTU18

L = Width
P = Depth
H = Height
Pr = Price code

C o m p l e m e n t a r y i t e m s

T18 - LIGHTING
Design C.R.S. Boffi - 2006

Pr

T18 - LED spotlight, 10 W.

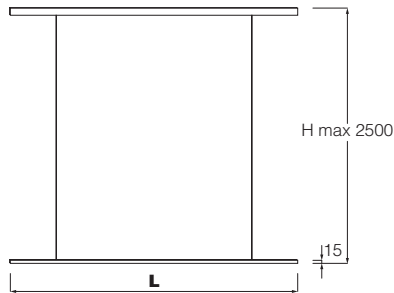


- Compatible with all versions: PENDANT - CEILING - BUILT-IN.
- Ø 111 mm.
- Dimmable LED PAR111 lamp included
- Magnetic fixing device and electric connection.
- With grid for spotlight, white or black finished (please specify the colour in the order).
- Colour temperature: 2700 K.
- Colour rendering index (CRI): 90.

	L	P	H	
Concentrated light.....	-	-	-	ASOL005
Diffused light.....	-	-	-	ASOL006

L = Width
P = Depth
H = Height
Pr = Price code

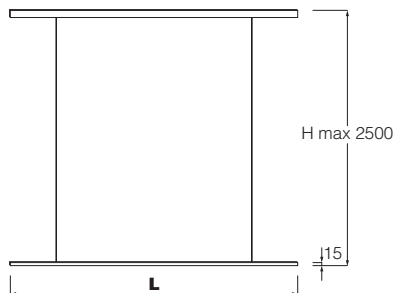
GIÒ - Pendant lamp with motion sensor switch, with dimmer.



- Structure: aluminium profile, with protective screen in polycarbonate.
- Finishes: black painted - white painted.
- Stainless steel cables max H 2500 mm.
- Lighting: LED.
- Absorption: 20 W per linear metre.
- Voltage: 100 ÷ 240 V - 50 ÷ 60 Hz (Europe/USA).
- Control: Motion sensor switch with dimmer.
- Colour temperature: 3000 K.
- Colour rendering index (CRI): 85.

	L	P	H	
Black - Europe/USA version.	1000	-	-	GMJO01
Black - Europe/USA version.	1500	-	-	GMJO02
Black - Europe/USA version.	2000	-	-	GMJO03
White - Europe/USA version.	1000	-	-	GMJO04
White - Europe/USA version.	1500	-	-	GMJO05
White - Europe/USA version.	2000	-	-	GMJO06

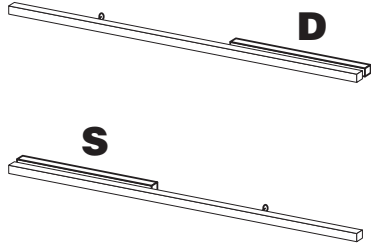
GIÒ - Pendant lamp for remote switch.



- Structure: aluminium profile, with protective screen in polycarbonate.
- Finishes: black painted - white painted.
- Stainless steel cables max H 2500 mm.
- Lighting: LED.
- Absorption: 20 W per linear metre.
- Voltage: 100 ÷ 240 V - 50 ÷ 60 Hz (Europe/USA).
- Control: Please arrange for a separate switch.
- Colour temperature: 3000 K.
- Colour rendering index (CRI): 85.

	L	P	H	
Black - Europe/USA version.	1000	-	-	GMJO11
Black - Europe/USA version.	1500	-	-	GMJO12
Black - Europe/USA version.	2000	-	-	GMJO13
White - Europe/USA version.	1000	-	-	GMJO14
White - Europe/USA version.	1500	-	-	GMJO15
White - Europe/USA version.	2000	-	-	GMJO16

GIÒ WALL - Wall-mounted lamp.

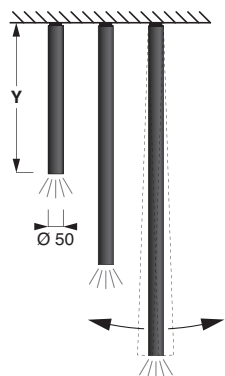


- Structure: aluminium profile, with protective screen in polycarbonate.
- Finishes: black painted - white painted.
- Lighting: LED.
- Absorption: 20 W per linear metre.
- Voltage: 100 ÷ 240 V - 50 ÷ 60 Hz (Europe/USA).
- Light switch: Please arrange for a separate switch.
- Colour temperature: 3000 K.
- Colour rendering index (CRI): 85.
- If used above a mirror, the thickness of the mirror itself should be less than 40 mm.

	L	P	H		
Black - Europe/USA version.	600	-	-	GMJO31	S-D
Black - Europe/USA version.	900	-	-	GMJO32	S-D
Black - Europe/USA version.	1000	-	-	GMJO33	S-D
Black - Europe/USA version.	1200	-	-	GMJO34	S-D
Black - Europe/USA version.	1500	-	-	GMJO35	S-D
Black - Europe/USA version.	1800	-	-	GMJO36	S-D
Black - Europe/USA version.	2000	-	-	GMJO37	S-D
White - Europe/USA version.	600	-	-	GMJO41	S-D
White - Europe/USA version.	900	-	-	GMJO42	S-D
White - Europe/USA version.	1000	-	-	GMJO43	S-D
White - Europe/USA version.	1200	-	-	GMJO44	S-D
White - Europe/USA version.	1500	-	-	GMJO45	S-D
White - Europe/USA version.	1800	-	-	GMJO46	S-D
White - Europe/USA version.	2000	-	-	GMJO47	S-D

L = Width
P = Depth
H = Height
Pr = Price code

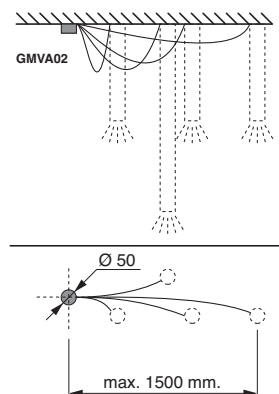
L.O.P. COLOURS - Pendant swinging lamp.



- Structure: aluminium.
- Finishes: matt white painted - matt black painted - anodised, finish stainless steel.
- Lighting: LED GU10 max 7 W dimmable.
- Up to 4 lamps can be connected to a single switch socket through the connecting element cod. GMVA02 (optional).
- Voltage: 220 ÷ 230 V - 50 Hz (Europe) / 110 ÷ 120 V - 60 Hz (USA).
- Colour temperature: 3000 K.
- Colour rendering index (CRI): 85.

	L	P	H	
Y = min 500 / max 1000 mm - Europe version.	-	-	-	GMOP04
Y = min 500 / max 1000 mm - USA version.	-	-	-	GMOP07
Y = min 1001 / max 2000 mm . Europe version.	-	-	-	GMOP05
Y = min 1001 / max 2000 mm . USA version.	-	-	-	GMOP08
Y = min 2001 / max 3000 mm - Europe version.	-	-	-	GMOP06
Y = min 2001 / max 3000 mm - USA version.	-	-	-	GMOP09

L.O.P. - Connecting element.



- Required ONLY for a multiple connection - max 4 lamps - to a single switch socket.
- Max. distance between connection element and lamps: 1500 mm.
- Anodised aluminium, steel finish.

	L	P	H	
.....	-	-	-	GMVA02

C o m p l e m e n t a r y i t e m s

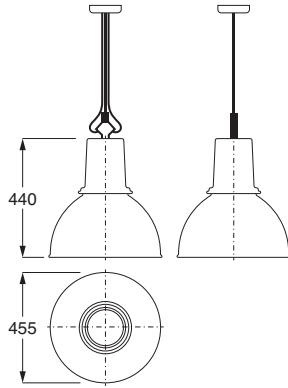
NAVIGLIO - LIGHTING
Design Piero Lissoni - 1995



**IP
20**

Pr

NAVIGLIO - Pendant lamp.

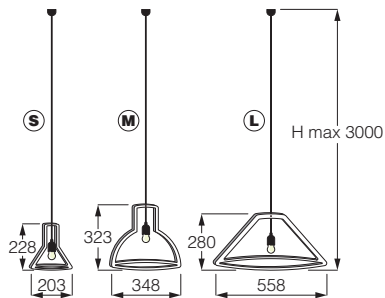


- Spun aluminium.
- Finishes: aluminium - cream painted - black painted.
- Lighting, Europe version: E27 connection- max 200 W.
- Lighting, USA version: E26 connection- max 200 W.
- Rod length: 2500 mm.
- Voltage: 220 V - 50 Hz (Europe) / 110 V - 60 Hz (USA).

	L	P	H	
Aluminium - Europe version.	-	-	-	GMNV01
Aluminium - USA version.	-	-	-	GMNV04
Cream painted - Europe version.	-	-	-	GMNV02
Cream painted - USA version.	-	-	-	GMNV05
Black painted - Europe version.	-	-	-	GMNV03
Black painted - USA version.	-	-	-	GMNV06

**L = Width
P = Depth
H = Height
Pr = Price code**

OUTLINER - Pendant lamp.



- Structure: black fibres board, high density coated with white melamine paper (fire-proof class 1 - waterproof - insulation class 2).
- Lighting, Europe version: E27 connection- max 40 W.
- Lighting, USA version: E26 connection- max 40 W.
- Bulb not included. Recommended bulb: GMLA01 (available in Europe version ONLY).
- H max 3000 mm (lamp body included).
- Feeding cable covered by red woven fabric.
- Ceiling black rose.
- Voltage: 220 ÷ 230 V - 50 Hz (Europe) / 110 ÷ 125 V - 60 Hz (USA).

	L	P	H	
Small - Europe version.	203	-	-	GMOL01
Small - USA version.....	203	-	-	GMOL04
Medium - Europe version.	348	-	-	GMOL02
Medium - USA version.....	348	-	-	GMOL05
Large - Europe version.	558	-	-	GMOL03
Large - USA version.	558	-	-	GMOL06

C o m p l e m e n t a r y i t e m s

BULBS

Pr

LED filament bulb E27 - 6 W. - EUROPE version



- Colour temperature: 3000 K.
- Light performance: as halogen 60 W (ca.).

L P H

Unit price. - Min. 5 pieces for the order. - - - **GMLA01**

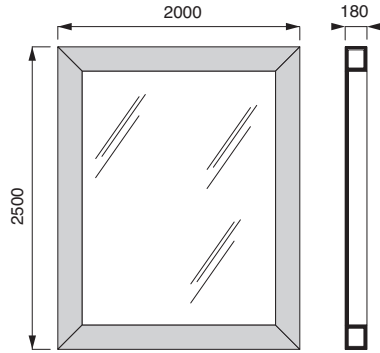
**L = Width
P = Depth
H = Height
Pr = Price code**

C o m p l e m e n t a r y i t e m s

ART - MIRRORS
Design Piero Lissoni - 2001

Pr

ART - Mirror, placed on floor.

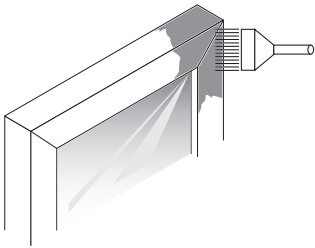


- Frame in NOT-TREATED raw sheet iron.
- Available with fixed measure or customised.
- ATTENTION: in case of mirrors with large surfaces, the reflected image may be subject to distortion from a distance superior to 5 metres. This shall not be cause of contention or complaint.
- CUSTOMISED version: H min 2000 / max 2500 mm - L min 1500 / max 2000 mm.

L P H

Fixed measure.....	2000	180	2500	GSAP01
Customised - Price per square metre.....	-	180	-	GSAP02

ART - Antioxidant treatment.



- Made of paints consisting in matt transparent polyester powder.

L P H

Unit price.....	-	-	-	ZZACF10
-----------------	---	---	---	----------------

C o m p l e m e n t a r y i t e m s

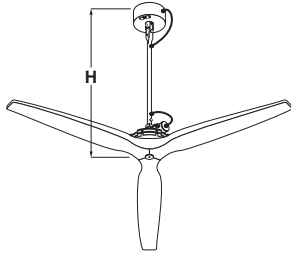
MINIMAL-AIR - CEILING FANS
Design Giulio Gianurco - 2002



ATTENTION: in compliance with CEE 61/28 the lower part of the blade has to be 2300 mm or higher.

Pr

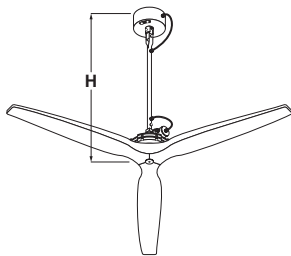
MINIMAL-AIR - Ceiling fan.



- Structure: AISI 304 stainless steel.
- Blade finishes: natural Bahia wood or black painted.
- WITH infra-red remote control.
- 5 speeds.
- Voltage: 220 ÷ 240 V - 50 Hz (Europe) / 110 ÷ 125 V - 60 Hz (USA).
- Absorption: max 80 W.
- Capacity: max 20000 m³/h.
- Ø 1600 mm.
- H 400 = weight 14 Kg / H 730 = weight 15 Kg / H 1200 = weight 16 Kg.

	L	P	H	
Europe version.	-	-	400	GRCB01
USA version.....	-	-	460	GRCB04
Europe version.	-	-	730	GRCB02
USA version.....	-	-	790	GRCB05
Europe version.	-	-	1200	GRCB03
USA version.....	-	-	1260	GRCB06

MINIMAL-AIR - Ceiling fan with switcher for blade rotation reversal.



- WITH SWITCHER FOR REVERSAL OF BLADE ROTATION.
- Structure: AISI 304 stainless steel.
- Blade finishes: natural Bahia wood or black painted.
- WITH infra-red remote control.
- 5 speeds.
- Voltage: 220 ÷ 240 V - 50 Hz (Europe) / 110 ÷ 125 V - 60 Hz (USA).
- Absorption: max 80 W.
- Capacity: max 20000 m³/h.
- Ø 1600 mm.
- H 400 = weight 14 Kg / H 730 = weight 15 Kg / H 1200 = weight 16 Kg.

	L	P	H	
Europe version.	-	-	400	GRCB21
USA version.....	-	-	460	GRCB24
Europe version.	-	-	730	GRCB22
USA version.....	-	-	790	GRCB25
Europe version.	-	-	1200	GRCB23
USA version.....	-	-	1260	GRCB26

L = Width
P = Depth
H = Height
Pr = Price code

Complementary items

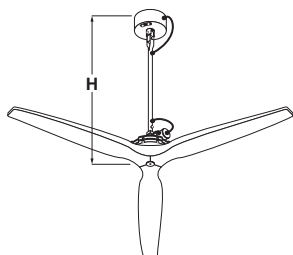
MINIMAL-AIR - CEILING FANS
Design Giulio Gianturco - 2002



ATTENTION: in compliance with CEE 61/28 the lower part of the blade has to be 2300 mm or higher.

Pr

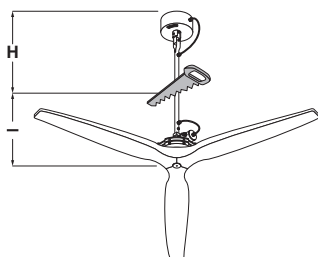
MINIMAL-AIR - Ceiling fan.



- Structure: AISI 304 stainless steel.
- Blade finishes: natural Bahia wood or black painted.
- WITHOUT infra-red radio controller, It can start up with linear speed regulators with different positions, to be supplied by the customer.
- Voltage: 220 ÷ 240 V - 50 Hz (Europe) / 110 ÷ 125 V - 60 Hz (USA).
- Absorption: max 80 W.
- Capacity: max 20000 m³/h.
- Ø 1600 mm.
- H 400 = weight 14 Kg / H 730 = weight 15 Kg / H 1200 = weight 16 Kg.

	L	P	H	
Europe version.	-	-	400	GRCB07
USA version.....	-	-	400	GRCB10
Europe version.	-	-	730	GRCB08
USA version.....	-	-	730	GRCB11
Europe version.	-	-	1200	GRCB09
USA version.....	-	-	1200	GRCB12

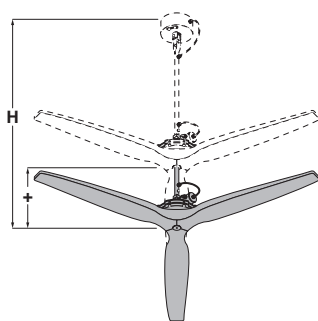
MINIMAL-AIR - Reduction of the fan height.



- Min. total height 350 mm (400 mm for USA version).
- Customisation to be added to the ceiling fan price considering the immediately higher standard height.
- NOT compatible with MINIMAL-AIR ST fans.
- Height of the downrod only (Europe version)= total H - 300 mm.
- Height of the downrod only (USA version)= total H - 360 mm.

	L	P	H	
Europe/USA version.	-	-	-	ZNAG28

MINIMAL-AIR - Height higher than standard-height.



- Max. total height 3500 mm / min. 1210 mm.
- Please check always the feasibility of heights higher than 3500 mm.
- Customisation to be added to the price of the 1200 mm high ceiling fan.
- NOT compatible with MINIMAL-AIR ST fans.
- WARNING! In case of ceiling fans with a height higher than the standard, some wobbling may be present and be more perceivable with increasing the speed. This shall not be cause of complaint.
- Height of the downrod only (Europe version)= total H - 300 mm.
- Height of the downrod only (USA version)= total H - 360 mm.

	L	P	H	
Europe/USA version.	-	-	-	ZNAG29

L = Width
P = Depth
H = Height
Pr = Price code

Complementary items

MINIMAL-AIR ST - CEILING FANS
Design Giulio Gianurco - 2013



ATTENTION: in compliance with CEE 61/28 the lower part of the blade has to be 2300 mm or higher.

Pr

MINIMAL-AIR ST - Ceiling fan.



- Structure: matt painted steel.
- Blade finishes: black or white painted wood.
- WITH infra-red remote control.
- 5 speeds.
- Voltage: 220 ÷ 240 V - 50 Hz (Europe) / 110 ÷ 125 V - 60 Hz (USA).
- Absorption: max 80 W.
- Capacity: max 20000 m³/h.
- Ø 1600 mm.
- H 380 = weight 11 Kg / H 530 = weight 11,6 Kg / H 930 = weight 12,2 Kg / H 1200 = weight 12,8 Kg.

	L	P	H	
White - Europe version.	-	-	380	GRDP01
White - USA version.....	-	-	380	GRDP09
White - Europe version.	-	-	530	GRDP02
White - USA version.....	-	-	530	GRDP10
White - Europe version.	-	-	930	GRDP03
White - USA version.....	-	-	930	GRDP11
White - Europe version.	-	-	1200	GRDP04
White - USA version.....	-	-	1200	GRDP12
Black - Europe version.....	-	-	380	GRDQ01
Black - USA version.....	-	-	380	GRDQ09
Black - Europe version.....	-	-	530	GRDQ02
Black - USA version.....	-	-	530	GRDQ10
Black - Europe version.....	-	-	930	GRDQ03
Black - USA version.....	-	-	930	GRDQ11
Black - Europe version.....	-	-	1200	GRDQ04
Black - USA version.....	-	-	1200	GRDQ12

L = Width
P = Depth
H = Height
Pr = Price code

Complementary items

MINIMAL-AIR ST - CEILING FANS
Design Giulio Gianturco - 2013



ATTENTION: in compliance with CEE 61/28 the lower part of the blade has to be 2300 mm or higher.

Pr

MINIMAL-AIR ST - Ceiling fan.



- Structure: matt painted steel.
- Blade finishes: black or white painted wood.
- WITHOUT infra-red radio controller, It can start up with linear speed regulators with different positions, to be supplied by the customer.
- Voltage: 220 ÷ 240 V - 50 Hz (Europe) / 110 ÷ 125 V - 60 Hz (USA).
- Absorption: max 80 W.
- Capacity: max 20000 m³/h.
- Ø 1600 mm.
- H 380 = weight 11 Kg / H 530 = weight 11,6 Kg / H 930 = weight 12,2 Kg / H 1200 = weight 12,8 Kg.

	L	P	H	
White - Europe version.	-	-	380	GRDP05
White - USA version.....	-	-	380	GRDP13
White - Europe version.	-	-	530	GRDP06
White - USA version.....	-	-	530	GRDP14
White - Europe version.	-	-	930	GRDP07
White - USA version.....	-	-	930	GRDP15
White - Europe version.	-	-	1200	GRDP08
White - USA version.....	-	-	1200	GRDP16
Black - Europe version.	-	-	380	GRDQ05
Black - USA version.....	-	-	380	GRDQ13
Black - Europe version.	-	-	530	GRDQ06
Black - USA version.....	-	-	530	GRDQ14
Black - Europe version.	-	-	930	GRDQ07
Black - USA version.....	-	-	930	GRDQ15
Black - Europe version.	-	-	1200	GRDQ08
Black - USA version.....	-	-	1200	GRDQ16

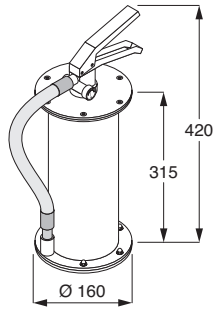
L = Width
P = Depth
H = Height
Pr = Price code

Complementary items

MINIMAL - FIRE EXTINGUISHERS
Design Giulio Gianturco - 2005

Pr

MINIMAL - Extinguisher.



- FOR DOMESTIC USE.
- Fire extinguisher holder in stainless steel, with wall fixing bracket.
- Content: 2 kg. halogenated hydrocarbons.
- PH2BF approved.
- Extinguishing capacity: 70B.

AVAILABLE UNTIL STOCK LASTS

L P H

- - - **GVCF01**

Complementary items

ORIGINE - FITNESS

Design Alessandro Andreucci, Christian Hoisl - 2014

Fitness equipment, which can be fitted with accessories.

The concept of ORIGINE is based on the precise need to design a product incorporating the functions of a Swedish wall bar system with essential design, making it blend in any home environment.



The concept of ORIGINE is based on the precise need to design a product incorporating the functions of a Swedish wall bar system with essential design, making it blend in any home environment.

stretching
leg stretches



stretching alla schiena
back stretches



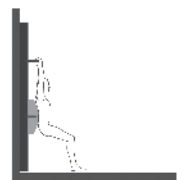
squat in esercizio dinamico
dynamic squats



stretching coscia e glutei
hamstring and glute stretches



sedia al muro
wall squats



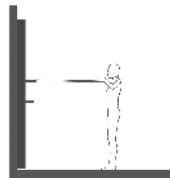
stretching alla schiena
back stretches



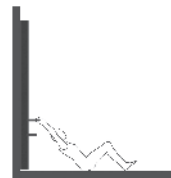
alzate frontali con elastico
front raises with band



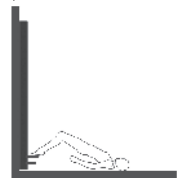
remate per schiena e spalle
rowing for back and shoulders



rilanci con le gambe per addominali
abdominal leg raises squats



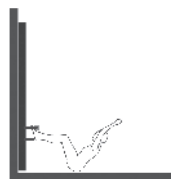
glutei con sollevamento del bacino
pelvic lifts



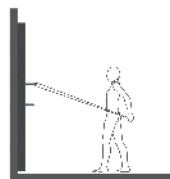
lombari
hyperextensions



addominali
crunches



tricipiti distensioni con elastico
tricep presses with band



tricipiti con elastico alto
overhead extensions with band



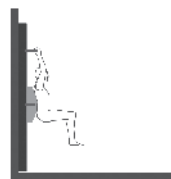
addominali alti
upper abdominals



addominali bassi
lower abdominals



addominali
hanging reverse crunches



lombari
reverse hyperextensions



L = Width
P = Depth
H = Height
Pr = Price code

C o m p l e m e n t a r y i t e m s

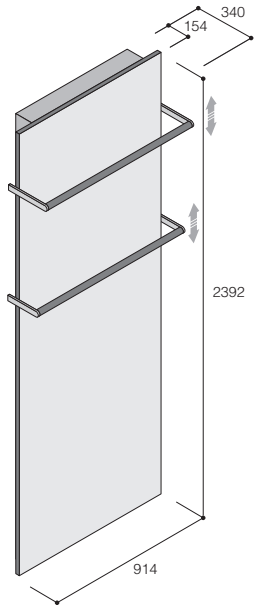
ORIGINE - FITNESS

Design Alessandro Andreucci, Christian Hoisl - 2014

Fitness equipment, which can be fitted with accessories.

Pr

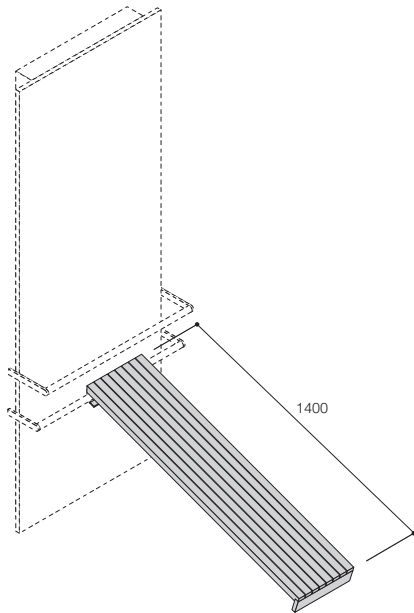
Wall bars.



- Front panel made of mirror or Lasermat (on the order please specify the colour).
- Structure in aluminium.
- 2 steel frontal sliding bars (with lock) covered in matt black painted wood.
- CUSTOMISATIONS ARE NOT AVAILABLE.

	L	P	H	
Mirror.....	914	340	2392	GXDR01
Lasermat.....	914	340	2392	GXDR02

Wooden bench.



- Matt black painted wood slats.

	L	P	H	
.....	1400	344	85	GXDS01

**L = Width
P = Depth
H = Height
Pr = Price code**

Complementary items

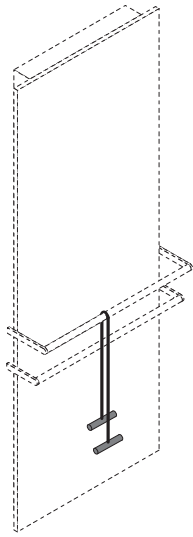
ORIGINE - FITNESS

Design Alessandro Andreucci, Christian Hoisl - 2014

Fitness equipment, which can be fitted with accessories.

Pr

Set of rubber bands.

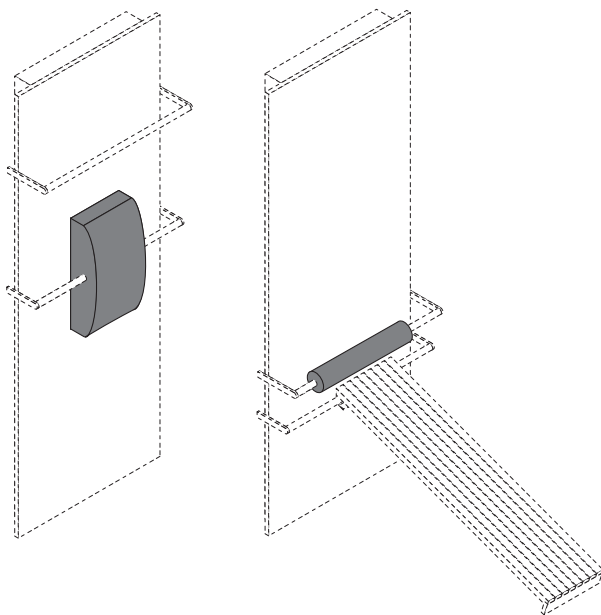


- Black rubber bands, grips in matt black painted wood.

L P H

GXDT01

Pillows.



- In black heavy-duty material.

L P H

Big curved pillow.....	600	300	167	GXDU01
Small cylindrical pillow.....	500	100	100	GXDU02



CE compliant - Product complies with EN 60598 standard and BT 73/23/CEE directive with its updates.



Electrical feeding of 24 V. Class of insulation III.



Apparatus Class II. Double insulation level. Without earthing system.



Arranged for earthing system.



Apparatus class. Degree of ingress protection against solids or liquids.



Apparatus class. Degree of ingress protection against solids or liquids.



Apparatus class. Degree of protection against spraying water.

4.8 m² slab that can be cut into sections, for covering use. - MDI composite.



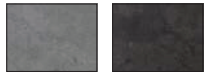
- The 1500 x 3200 mm slab (= 4.8 m²) can be cut into tiles of any desired size by adding the specific cutting and grinding customisations (cod. ZNAE13/14/15/16).
- Production scraps are not delivered to the Customer.
- Packaging in wood case included.
- In case of requests of more than 20 slabs, please ask for a dedicated offer.

NEW

L P H

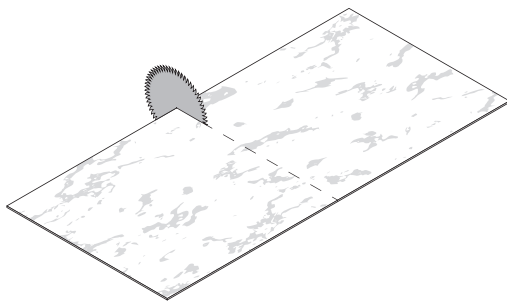
For vertical coverings. - Thickness 4 mm.	1500	3200	4	SBCPEA01
For flooring. - Thickness 12 mm.....	1500	3200	12	SBCPEA02

MDI COMPOSITE



231 Devon
232 Surrey

Single tile cutting and grinding. - MDI composite.



- To be added to each single tile obtained from the division of the slab.
- Minimum single tile size: 150 x 250 mm.
- In case of tiles smaller or equal than 0.24 m², please add the customisation cod. ZNAE13/15 (unit price).
- In case of tiles bigger than 0.24 m², please add the customisation cod. ZNAE14/16 (price per square metre).
- Production scraps are not delivered to the Customer.
- Please see the order examples.
- Perimeter grinding difficult to see.

NEW

L P H

For 4 mm thick covering.				
Tile ≤ 0.24 m ² . - Unit price.	-	-	-	ZNAE13
Tile > 0.24 m ² . - Price per square metre.	-	-	-	ZNAE14
For 12 mm thick covering.				
Tile ≤ 0.24 m ² . - Unit price.	-	-	-	ZNAE15
Tile > 0.24 m ² . - Price per square metre.	-	-	-	ZNAE16

L = Width
P = Depth
H = Height
Pr = Price code



Boffi Spa
Via Oberdan 70
20823 Lentate sul Seveso [MB] - Italy
Tel. +39.0362.5341 - Fax +39.0362.565077
boffimarket@boffi.com - www.boffi.com

