

Index

TEVERE	23.3
TERRA	23.4
ICELAND	23.5
SABBIA	23.6
FISHER ISLAND	23.7
FAROE	23.8
ROUND FISHER	23.9
I FIUMI SERIES	23.10
UNIVERSAL ACCESSORIES	23.11
SWIM C SERIES - TECHNICAL FEATURES / TYPOLOGIES	23.12
SWIM C SERIES	23.13
ARK - TECHNICAL FEATURES / TYPOLOGIES	23.26
ARK	23.27
HOLES FOR DECK-MOUNTED TAP SET FOR BATHTUB.	23.32

B a t h t u b s

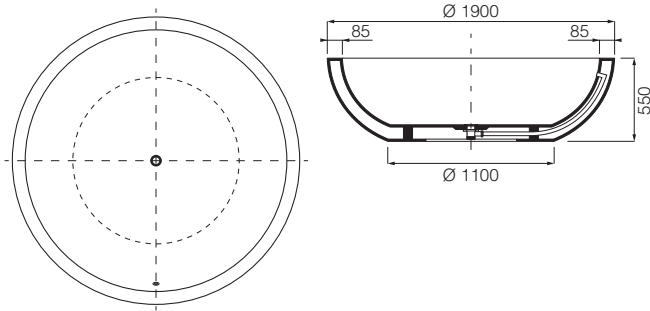
TEVERE
Design Claudio Silvestrin

Pr

TEVERE - Monobloc bathtub.



- White thermoformed Corian®.
- Equipped with stainless steel waste drain, syphon and overflow.
- Weight without water: 300 kg - Water capacity: 600 litres
- Packaged in wooden case.



L P H

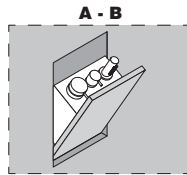
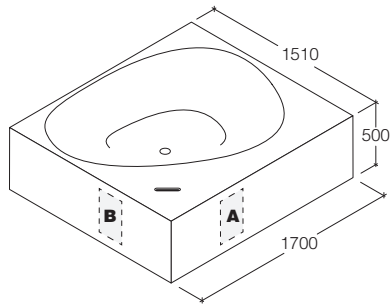
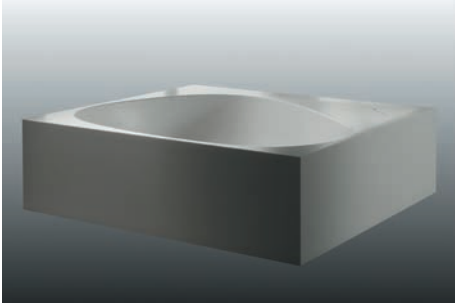
White 1900 1900 550 **QAVISPO1**

B a t h t u b s

TERRA
Design Naoto Fukasawa

Pr

TERRA - Monobloc bathtub.



- In white Cristalplant®. Boxed in wooden case.
- Equipped with chromium-plated waste drain, syphon and overflow. Water supply from bathtub edge.
- Weight without water: 210 kg - Water capacity: 400 litres
- Available without tap hole arrangement / or with tap hole and stainless steel tap (including mixer and hand-shower with its mixer).
- Certifications: USA - Canada.



White

	L	P	H	
Without tap hole arrangement	1700	1510	500	QARISR01
With lateral hole and tap, A side position.	1700	1510	500	QARISR04
With lateral hole and tap, B side position.	1700	1510	500	QARISR05

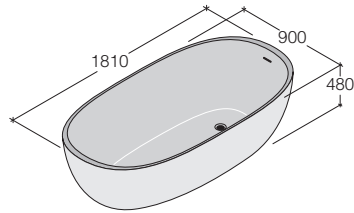
L = Width
P = Depth
H = Height
Pr = Price code

B a t h t u b s

ICELAND
Design Piero Lissoni

Pr

ICELAND - Monobloc bathtub.



- White Cristalplant®.
- Packaged in wooden case.
- Equipped with chromium-plated waste drain, syphon and overflow.
- Weight without water: 160 kg - Water capacity: 380 litres
- Soft Touch: coating made of anthracite grey paint.
- Certifications: USA - Canada.

L P H

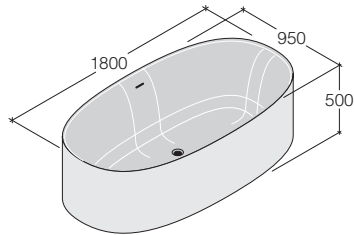
White.	1810	900	480	QAII SR01
White + Soft Touch grey.	1810	900	480	QAII SS01

B a t h t u b s

SABBIA
Design Naoto Fukasawa

Pr

SABBIA - Monobloc bathtub.

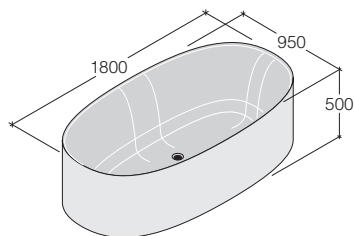


- In white Cristalplant®. Boxed in wooden case.
- Equipped with chromium-plated waste drain, syphon and overflow.
- Weight without water: 163 kg - Water capacity: 310 litres
- Certifications: USA - Canada.

L P H

White 1800 950 500 **QAYISR01**

SABBIA STONE - Monobloc bathtub.

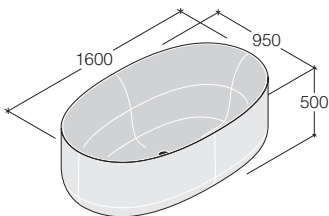


- In solid natural stone. Boxed in wooden case.
- Weight without water: 900 kg - Water capacity: 310 litres
- Please order separately the waste-drain with overflow in the finish wished: ANBN011 chromium-plated, ANBN012 stainless steel, ANBN013 PVD.
- CUSTOMISED VERSION: bathtub in other marbles / stones / granites requires the feasibility approval and quotation by Boffi.

L P H

Serena stone 1800 950 500 **QAYISM01**
 White Carrara marble 1800 950 500 **QAYISM02**
 Grey Stone marble 1800 950 500 **QAYISM03**

ROUND SABBIA STONE - Monobloc bathtub.



- In solid natural stone. Boxed in wooden case.
- Weight without water: 870 kg - Water capacity: 290 litres
- Please order separately the waste-drain with overflow in the finish wished: ANBN011 chromium-plated, ANBN012 stainless steel, ANBN013 PVD.
- CUSTOMISED VERSION: bathtub in other marbles / stones / granites requires the feasibility approval and quotation by Boffi.

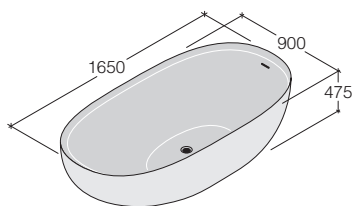
NEW

L P H

Serena stone 1600 950 500 **QAYISM05**
 White Carrara marble 1600 950 500 **QAYISM06**
 Grey Stone marble 1600 950 500 **QAYISM07**

L = Width
P = Depth
H = Height
Pr = Price code

FISHER ISLAND - Monobloc bathtub.

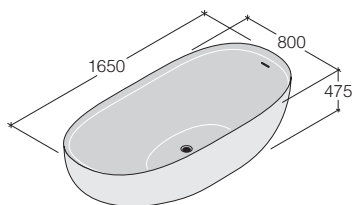


- Matt white Ceramilux®.
- Packaged in wooden case.
- Equipped with chromium-plated waste drain, syphon and overflow.
- Weight without water: 134 kg - Water capacity: 290 litres
- Soft Touch: coating made of anthracite grey paint.
- Certifications: USA - Canada.

L P H

White	1650	900	475	QAFISX02
White + Soft Touch grey	1650	900	475	QAFISS01

FISHER ISLAND COMPACT - Monobloc bathtub.

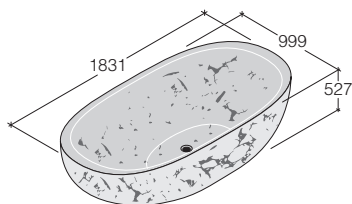


- Matt white Ceramilux®.
- Packaged in wooden case.
- Equipped with chromium-plated waste drain, syphon and overflow.
- Weight without water: 90 kg - Water capacity: 270 litres
- Soft Touch: coating made of anthracite grey paint.
- Certifications: USA - Canada.

L P H

White	1650	800	475	QAFISX03
White + Soft Touch grey	1650	800	475	QAFISS02

FISHER ISLAND STONE - Monobloc bathtub.



- Stone B: available ONLY in white Carrara marble / Serena stone.
- Stone D: available ONLY in Emperador Dark marble.
- In solid natural stone. Boxed in wooden case.
- Weight without water: 400 kg - Water capacity: 290 litres
- Please order separately the waste-drain with overflow in the finish wished: ANBN011 chromium-plated, ANBN012 stainless steel, ANBN013 PVD.
- CUSTOMISED VERSION: bathtub in other marbles / stones / granites requires the feasibility approval and quotation by Boffi.

L P H

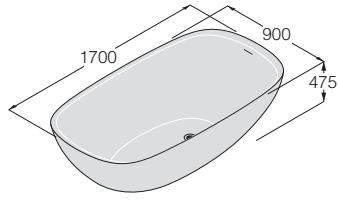
.....	1831	999	527	QAFISM01
-------	------	-----	-----	-----------------

B a t h t u b s

FAROE
Design Piero Lissoni

Pr

FAROE - Monobloc bathtub.



- In white Cristalplant®. Boxed in wooden case.
- Equipped with chromium-plated waste drain, syphon and overflow.
- Weight without water: 131 kg - Water capacity: 340 litres
- Soft Touch: coating made of anthracite grey paint.
- Certifications: CE - EN / USA - Canada.

	L	P	H	
White.....	1700	900	475	QAEISR01
White + Soft Touch grey.....	1700	900	475	QAEISS01

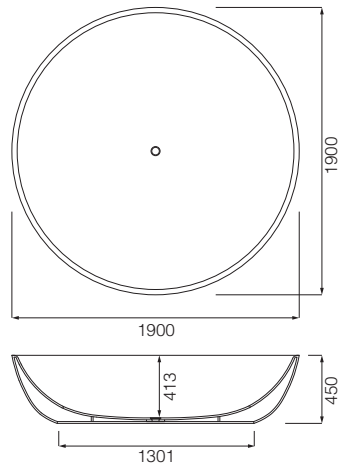
L = Width
P = Depth
H = Height
Pr = Price code

B a t h t u b s

ROUND FISHER
Design Piero Lissoni

Pr

ROUND FISHER - Monobloc bathtub.



- In white Corian® / semi-glossy Stratus grey Corian®.
- Packaged in wooden case.
- Equipped with waste drain with integrated overflow and syphon.
- Weight without water: 260 - 280 kg - Water capacity: 700 litres

L P H

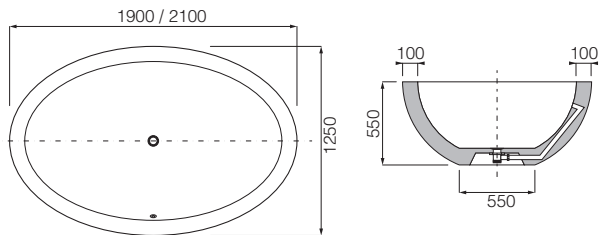
White Corian®	1900	1900	450	QAFISP01
Semi-glossy Stratus grey Corian®	1900	1900	450	QAFISQ01

B a t h t u b s

I FIUMI series
Design Claudio Silvestrin

Pr

PO (Stone) - Monobloc bathtub.

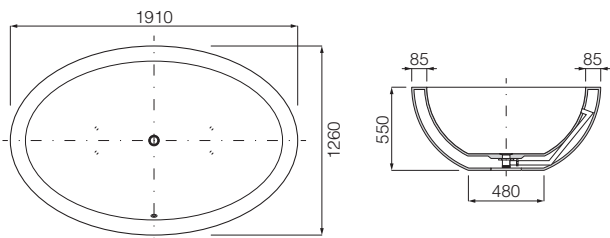


- Solid natural stone.
- Packaged in wooden case.
- Equipped with stainless steel waste drain, syphon and overflow.
- Weight without water: ca. 800 kg (QAPISM04) - ca. 900 kg (QAPISM05).
- Water capacity: 320 litres.
- CUSTOMISED VERSION: bathtub in other marbles / stones / granites requires the feasibility approval and quotation by Boffi.

L P H

SERENA stone	1900	1250	550	QAPISM04
SERENA stone	2100	1250	550	QAPISM05

PO (Corian®) - Monobloc bathtub.



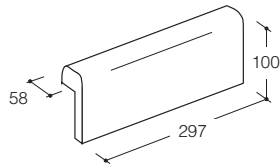
- Thermoformed Corian®.
- Packaged in wooden case.
- Equipped with stainless steel waste drain, syphon and overflow.
- Weight without water: 150 kg.
- Water capacity: 320 litres.

L P H

White.....	1910	1260	550	QAPISP03
------------	------	------	-----	-----------------

L = Width
P = Depth
H = Height
Pr = Price code

Headrest for bathtub.



- Made of white silicone rubber.
- Compatible with all Boffi bathtubs, SABBIA and FISHER ISLAND excluded.
- It adjusts to the bathtub shape.
- To be placed and fixed with adhesive tape positioned on the lower part.

L P H

..... 297 58 100 **ANMT001**

B a t h t u b s

SWIM C series - TECHNICAL FEATURES / TYPOLOGIES

Bathtub in Cristalplant® with double backrest slope.

Water capacity: 325 litres.

Versions: BUILT-IN - FREE-STANDING WITH PANELS - PENINSULA WITH PANELS - CORNER WITH PANELS - NICHE WITH PANELS - WITH OPEN-FACED COMPARTMENTS.

Certifications: USA - Canada.

BUILT-IN:

upper/under-mounted installation, for walling and panelling supplied by the customer. Available in 4 sizes or customised.

FREE-STANDING WITH PANELS:

for island installation, with fixed panels in Cristalplant® glued on 4 sides. Available in 4 sizes or customised.

PENINSULA WITH PANELS:

peninsula installation, with longer side against the wall and fixed panels in Cristalplant® glued on other 3 sides. Available in 4 sizes or customised.

CORNER WITH PANELS:

for corner installation, with fixed panels in Cristalplant® glued on 2 sides. Available in 4 sizes or customised.

NICHE WITH PANELS:

for niche installation, with fixed panel in Cristalplant® glued on 1 side. Available in 4 sizes or customised.

WITH OPEN-FACED COMPARTMENTS:

for free-standing, peninsula, corner or niche installation. The sides without compartments have a glued fixed panel in Cristalplant®. The sides with compartments are in finish. Available in 4 versions, according to the number of sides equipped with open-faced compartments.

The peninsula, niche and corner bathtubs can be installed free-standing too, thanks to the use of finished panels fixed on sides without compartments.

Finishes for open-faced compartments: Silcolak - Wood - Wood Selection - Ecolak - Wood Exclusive.

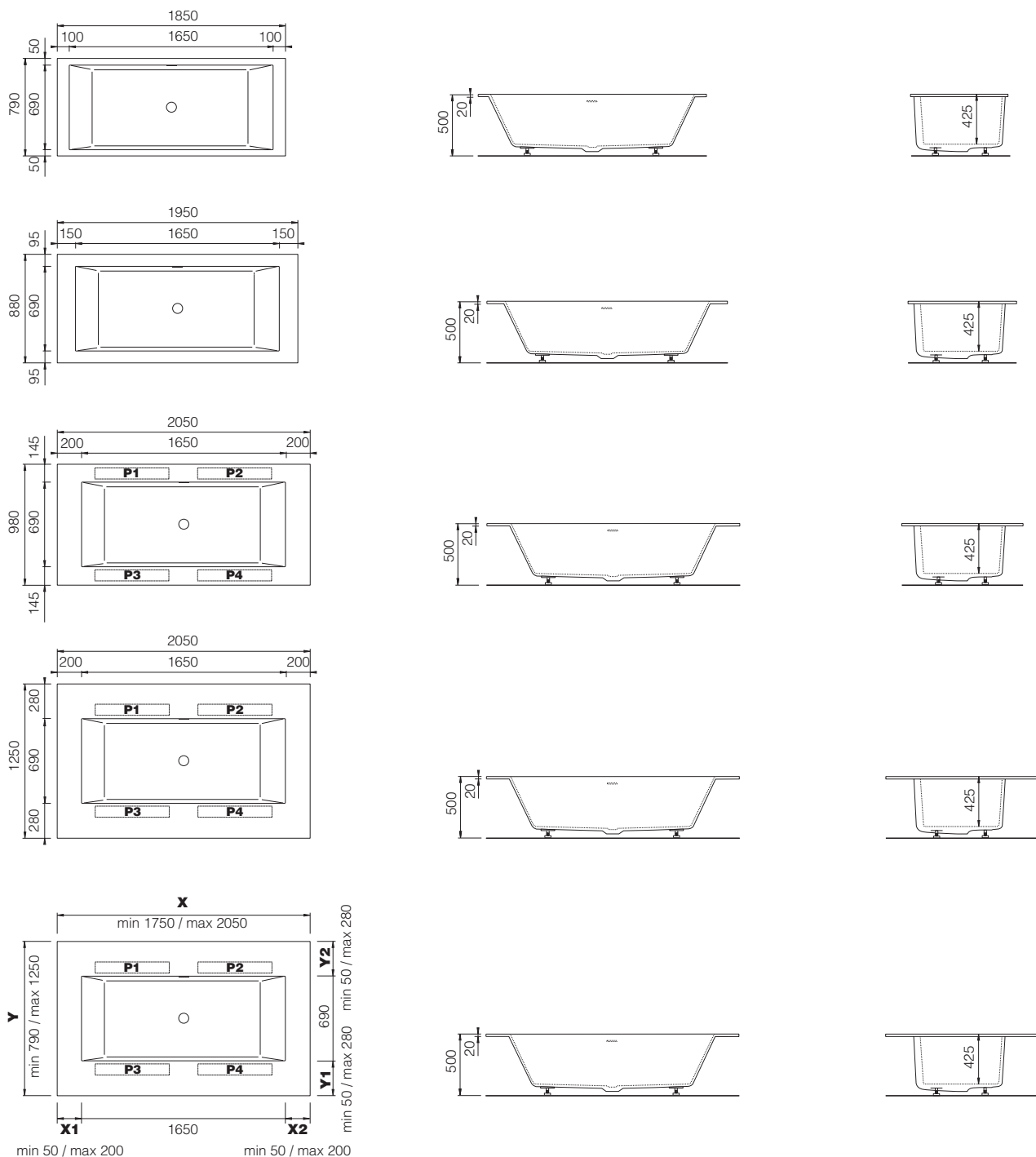


Bathtubs

SWIM C series

Cristalplant®, with adjustment feet, chromium-plated waste drain and syphon.

BUILT-IN bathtub. - Technical chart



IMPORTANT :

- P1, P2, P3 and P4 indicate the possible deck-mounted tap positioning: please add the specific customised solution in the order. The P1 and P2 positions refer to bathtub side with overflow, the P3 and P4 to the opposite side.
- The customised bathtub must have on the order the X, Y, X1, X2, Y1 and Y2 dimensions. Orders without dimensions are not accepted.

L = Width
P = Depth
H = Height
Pr = Price code

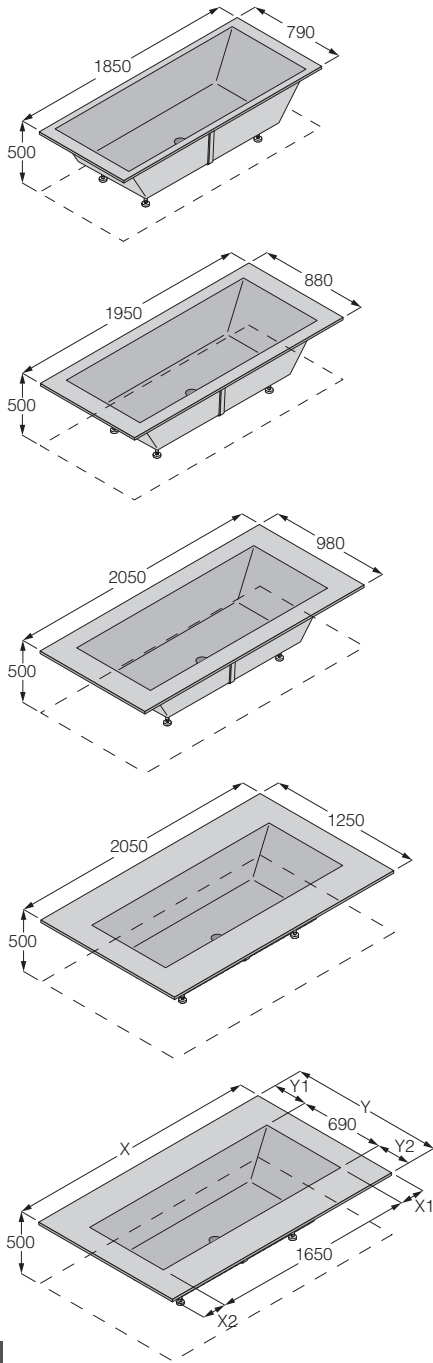
B a t h t u b s

SWIM C series
Design Piero Lissoni

Cristalplant®, with adjustment feet, chromium-plated waste drain and syphon.

Pr

BUILT-IN bathtub. - Upper/under-mounted installation, walling and panelling supplied by the customer.



- CUSTOMISED version:
- X = min 1750 mm, max 2050 mm / Y = min 790 mm, max 1250 mm.
- X1 and X2 = min 50 mm, max 200 mm. / Y1 and Y2 = min 50 mm, max 280 mm.
- In the order please ALWAYS specify the precise X, Y, X1, X2, Y1, Y2 dimensions.
- The X1, X2, Y1 and Y2 sizes can be different from each other, considering always the min. and max. allowed dimensions.
- With deck-mounted tap, Y1 or Y2 min. 100 mm.

	L	P	H	
White.....	1850	790	500	QAWSSR01
White.....	1950	880	500	QAWSSR02
White.....	2050	980	500	QAWSSR03
White.....	2050	1250	500	QAWSSR04
White, CUSTOMISED SIZE.....	-	-	500	QAWSSR05

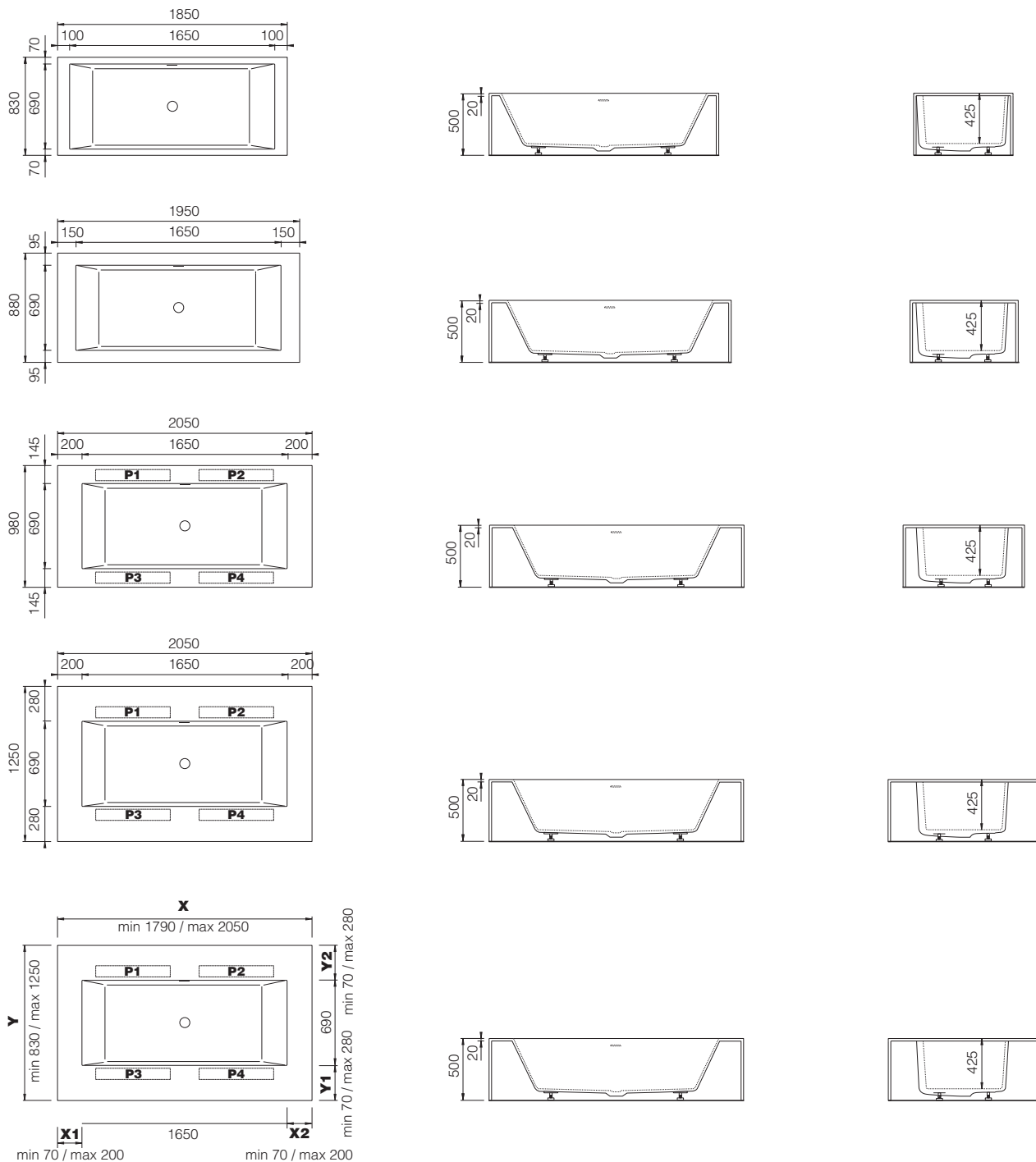
L = Width
P = Depth
H = Height
Pr = Price code

Bathtubs

SWIM C series

Cristalplant®, with adjustment feet, chromium-plated waste drain and syphon.

FREE-STANDING bathtub WITH PANELS. - Technical chart



IMPORTANT :

- P1, P2, P3 and P4 indicate the possible deck-mounted tap positioning: please add the specific customised solution in the order. The P1 and P2 positions refer to bathtub side with overflow, the P3 and P4 to the opposite side.
- The customised bathtub must have on the order the X, Y, X1, X2, Y1 and Y2 dimensions. Orders without dimensions are not accepted.

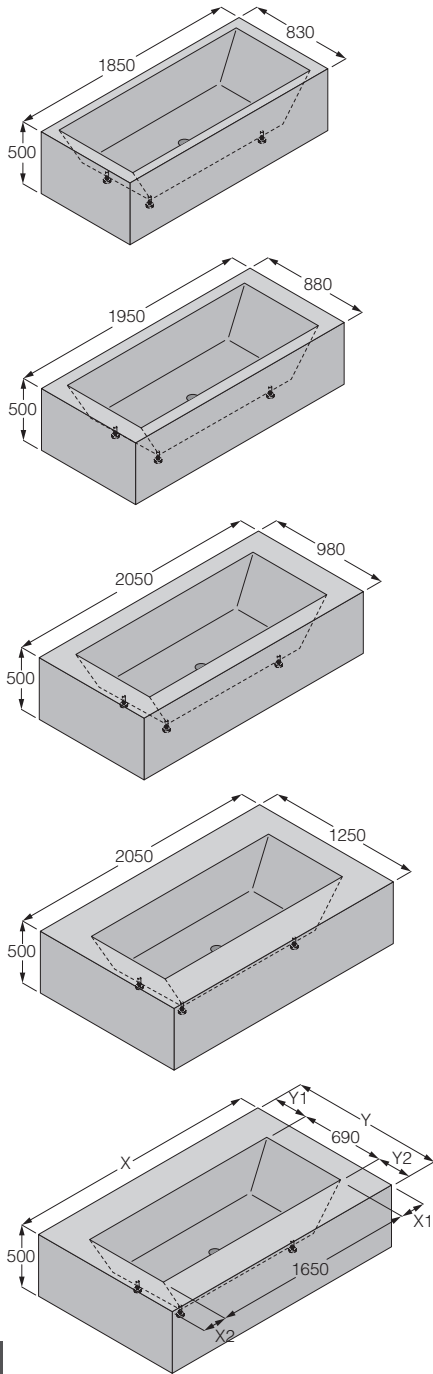
B a t h t u b s

SWIM C series
Design Piero Lissoni

Cristalplant®, with adjustment feet, chromium-plated waste drain and syphon.

Pr

FREE-STANDING bathtub WITH PANELS. - Covering panels on 4 sides.



- CUSTOMISED version:
- X = min 1790 mm, max 2050 mm / Y = min 830 mm, max 1250 mm.
- X1 and X2 = min 70 mm, max 200 mm. / Y1 and Y2 = min 70 mm, max 280 mm.
- In the order please ALWAYS specify the precise X, Y, X1, X2, Y1, Y2 dimensions.
- The X1, X2, Y1 and Y2 sizes can be different from each other, considering always the min. and max. allowed dimensions.
- With deck-mounted tap, Y1 or Y2 min. 100 mm.

	L	P	H	
White.....	1850	830	500	QAWISR01
White.....	1950	880	500	QAWISR02
White.....	2050	980	500	QAWISR03
White.....	2050	1250	500	QAWISR04
White, CUSTOMISED SIZE.....	-	-	500	QAWISR05

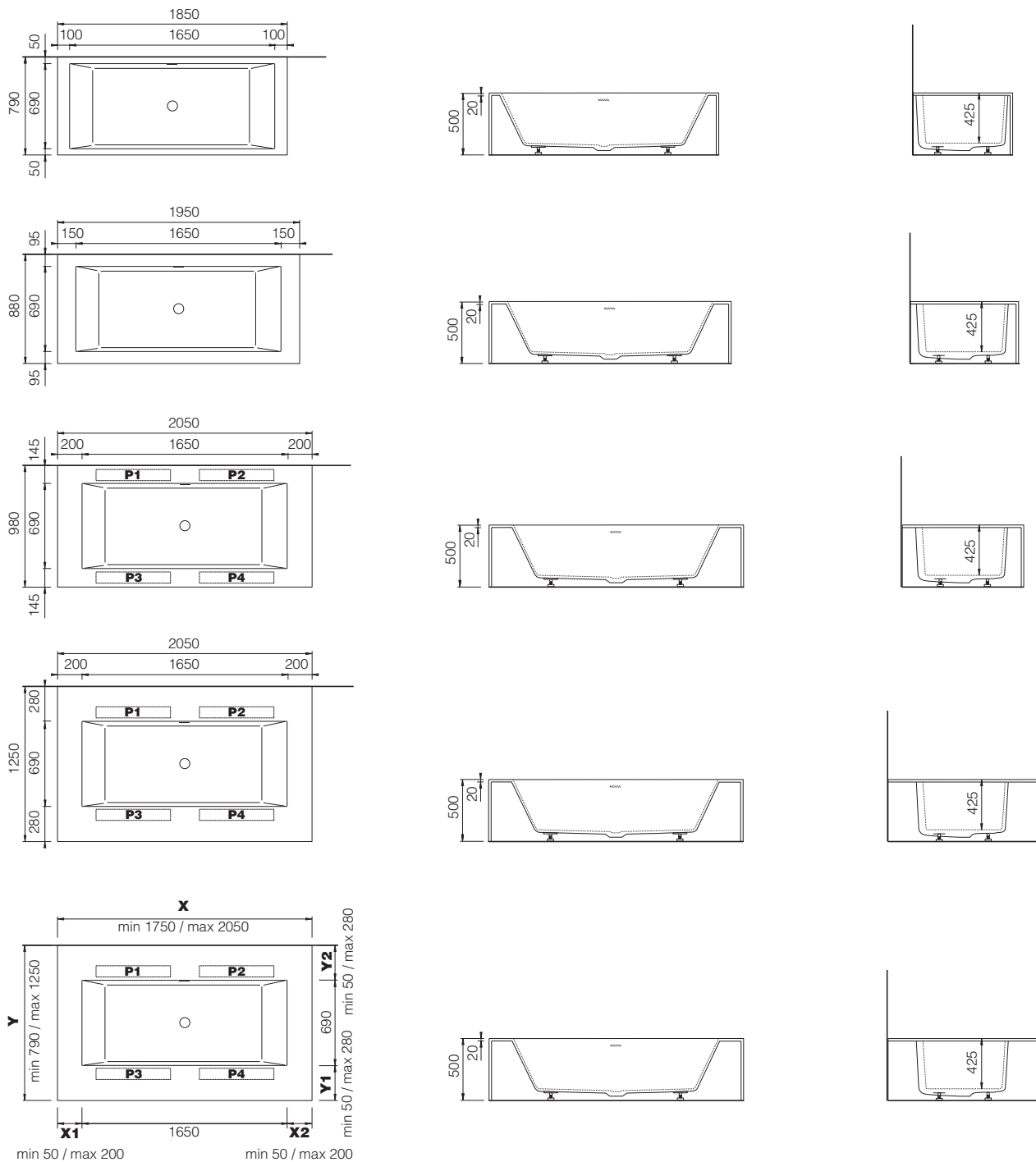
L = Width
P = Depth
H = Height
Pr = Price code

Bathtubs

SWIM C series

Cristalplant®, with adjustment feet, chromium-plated waste drain and syphon.

PENINSULA bathtub WITH PANELS. - Technical chart



IMPORTANT :

- P1, P2, P3 and P4 indicate the possible deck-mounted tap positioning: please add the specific customised solution in the order. The P1 and P2 positions refer to bathtub side with overflow, the P3 and P4 to the opposite side.
- The customised bathtub must have on the order the X, Y, X1, X2, Y1 and Y2 dimensions. Orders without dimensions are not accepted.

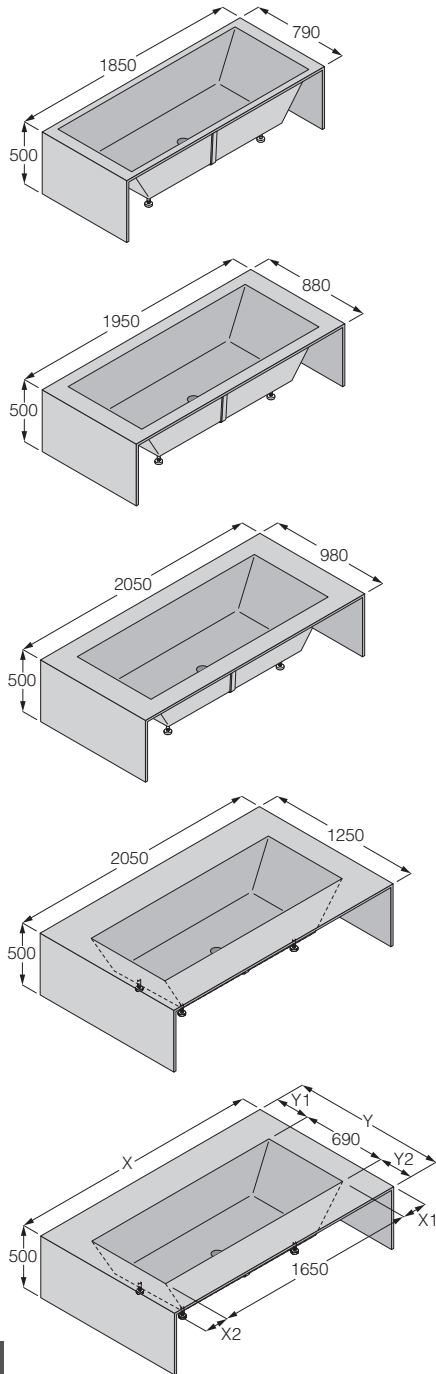
Bathtubs

SWIM C series
Design Piero Lissoni

Cristalplant®, with adjustment feet, chromium-plated waste drain and syphon.

Pr

PENINSULA bathtub WITH PANELS. - Covering panels on 3 sides.
The longer side with overflow is always against the wall.



- CUSTOMISED version:
- X = min 1750 mm, max 2050 mm / Y = min 790 mm, max 1250 mm.
- X1 and X2 = min 50 mm, max 200 mm. / Y1 and Y2 = min 50 mm, max 280 mm.
- In the order please ALWAYS specify the precise X, Y, X1, X2, Y1, Y2 dimensions.
- The X1, X2, Y1 and Y2 sizes can be different from each other, considering always the min. and max. allowed dimensions.
- With deck-mounted tap, Y1 or Y2 min. 100 mm.

	L	P	H	
White.....	1850	790	500	QAWPER01
White.....	1950	880	500	QAWPER02
White.....	2050	980	500	QAWPER03
White.....	2050	1250	500	QAWPER04
White, CUSTOMISED SIZE.....	-	-	500	QAWPER05

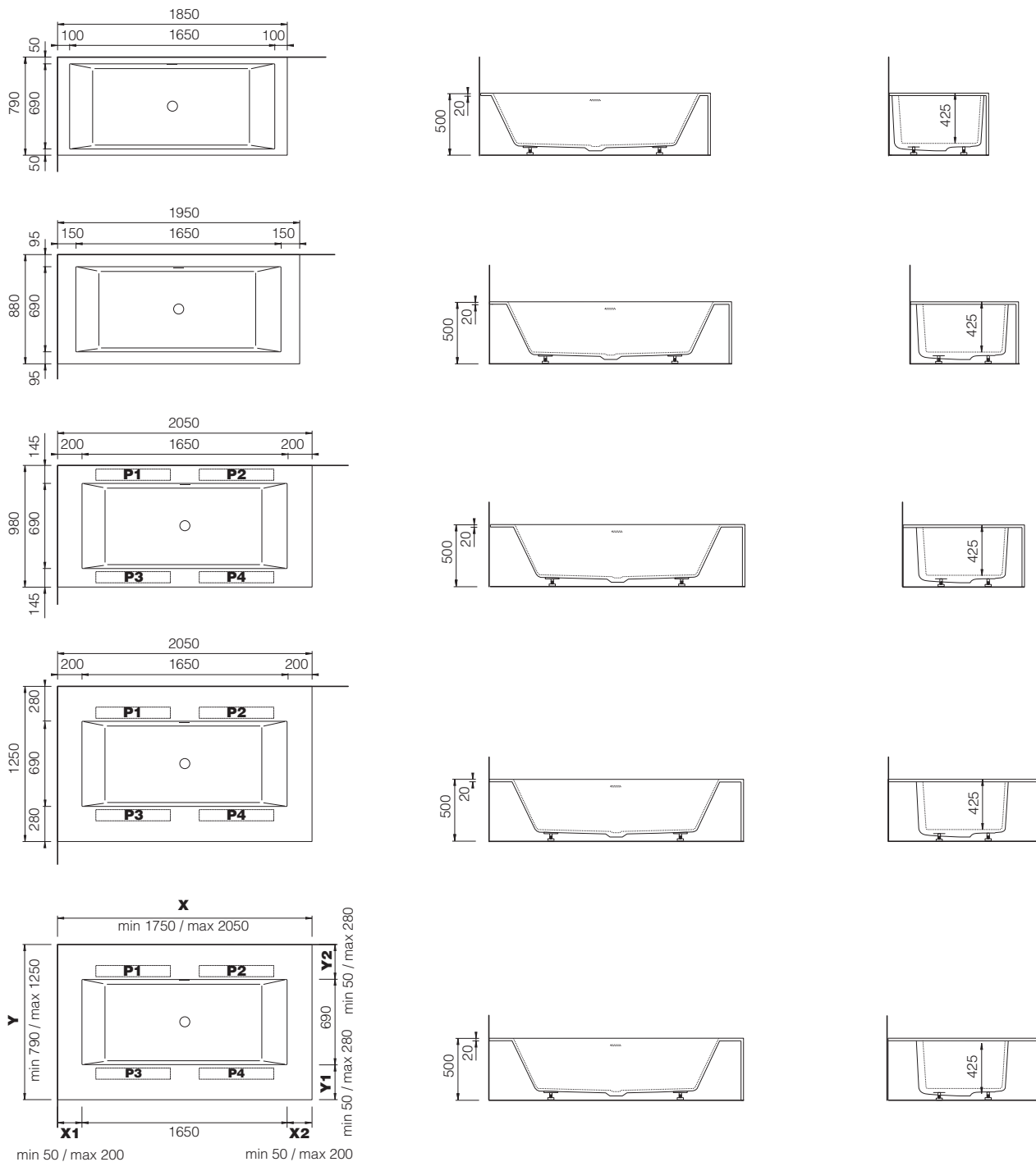
L = Width
P = Depth
H = Height
Pr = Price code

Bathtubs

SWIM C series

Cristalplant®, with adjustment feet, chromium-plated waste drain and syphon.

CORNER bathtub WITH PANELS. - Technical chart



IMPORTANT :

- P1, P2, P3 and P4 indicate the possible deck-mounted tap positioning: please add the specific customised solution in the order. The P1 and P2 positions refer to bathtub side with overflow, the P3 and P4 to the opposite side.
- The customised bathtub must have on the order the X, Y, X1, X2, Y1 and Y2 dimensions. Orders without dimensions are not accepted.

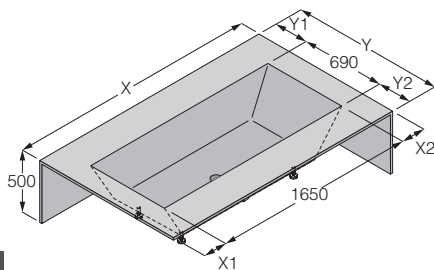
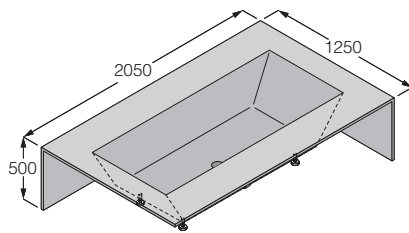
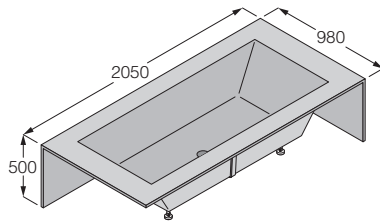
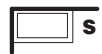
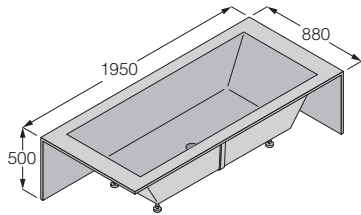
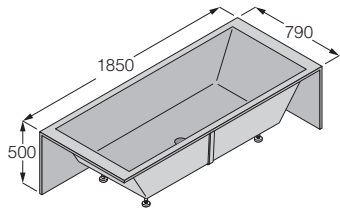
Bathtubs

SWIM C series
Design Piero Lissoni

Cristalplant®, with adjustment feet, chromium-plated waste drain and syphon.

Pr

CORNER bathtub WITH PANELS. - Covering panels on 2 sides.
The longer side with overflow is always against the wall.



- Drawn=right (D), mirrored=left (S).
- CUSTOMISED version:
- X = min 1750 mm, max 2050 mm / Y = min 790 mm, max 1250 mm.
- X1 and X2 = min 50 mm, max 200 mm. / Y1 and Y2 = min 50 mm, max 280 mm.
- In the order please ALWAYS specify the precise X, Y, X1, X2, Y1, Y2 dimensions.
- The X1, X2, Y1 and Y2 sizes can be different from each other, considering always the min. and max. allowed dimensions.
- With deck-mounted tap, Y1 or Y2 min. 100 mm.

	L	P	H		
White.....	1850	790	500	QAWANR01	S-D
White.....	1950	880	500	QAWANR02	S-D
White.....	2050	980	500	QAWANR03	S-D
White.....	2050	1250	500	QAWANR04	S-D
White, CUSTOMISED SIZE.....	-	-	500	QAWANR05	S-D

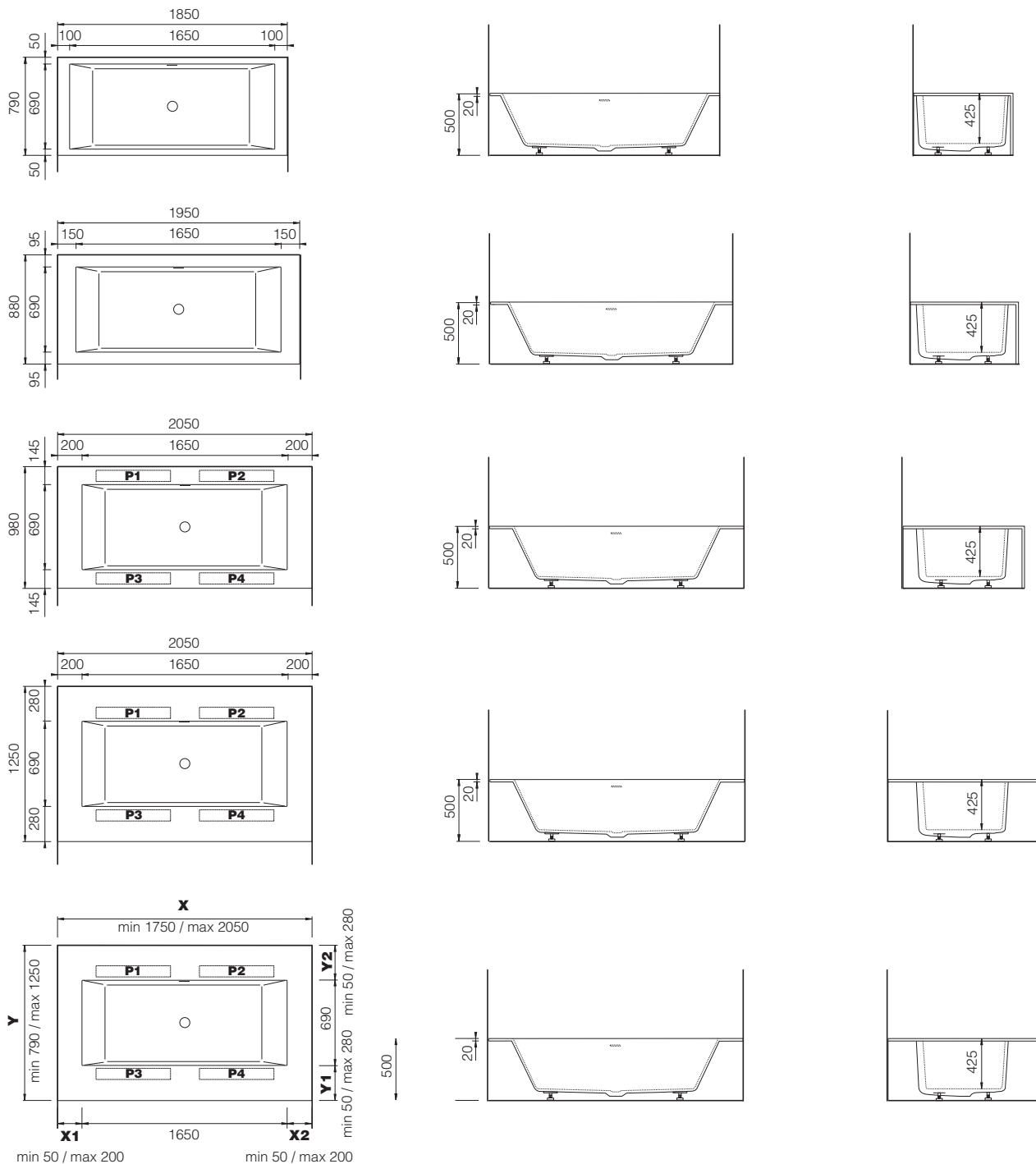
L = Width
P = Depth
H = Height
Pr = Price code

Bathtubs

SWIM C series

Cristalplant®, with adjustment feet, chromium-plated waste drain and syphon.

NICHE bathtub WITH PANELS. - Technical chart



IMPORTANT :

- P1, P2, P3 and P4 indicate the possible deck-mounted tap positioning: please add the specific customised solution in the order. The P1 and P2 positions refer to bathtub side with overflow, the P3 and P4 to the opposite side.
- The customised bathtub must have on the order the X, Y, X1, X2, Y1 and Y2 dimensions. Orders without dimensions are not accepted.

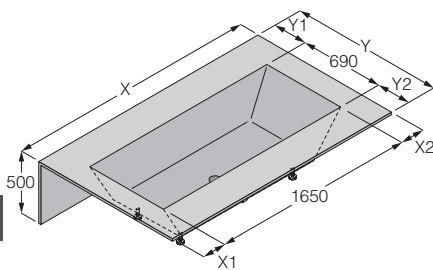
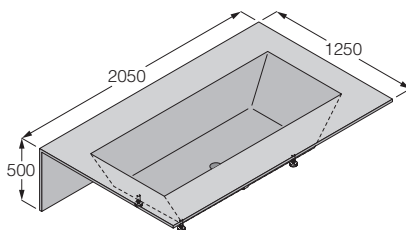
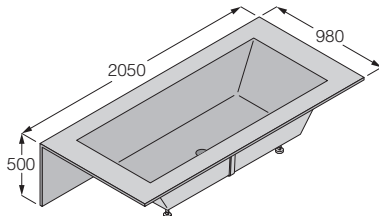
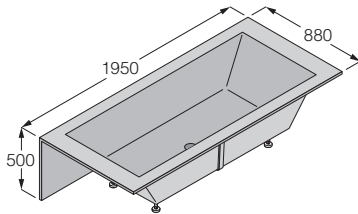
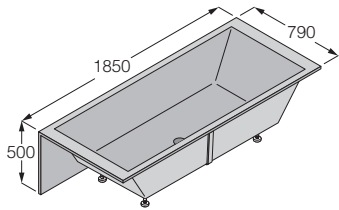
B a t h t u b s

SWIM C series
Design Piero Lissoni

Cristalplant®, with adjustment feet, chromium-plated waste drain and syphon.

Pr

NICHE bathtub WITH PANELS. - Covering panels on 1 side.
The longer side with overflow is always against the wall.



- CUSTOMISED version:
- X = min 1750 mm, max 2050 mm / Y = min 790 mm, max 1250 mm.
- X1 and X2 = min 50 mm, max 200 mm. / Y1 and Y2 = min 50 mm, max 280 mm.
- In the order please ALWAYS specify the precise X, Y, X1, X2, Y1, Y2 dimensions.
- The X1, X2, Y1 and Y2 sizes can be different from each other, considering always the min. and max. allowed dimensions.
- With deck-mounted tap, Y1 or Y2 min. 100 mm.

	L	P	H	
White.....	1850	790	500	QAWICR01
White.....	1950	880	500	QAWICR02
White.....	2050	980	500	QAWICR03
White.....	2050	1250	500	QAWICR04
White, CUSTOMISED SIZE.....	-	-	500	QAWICR05

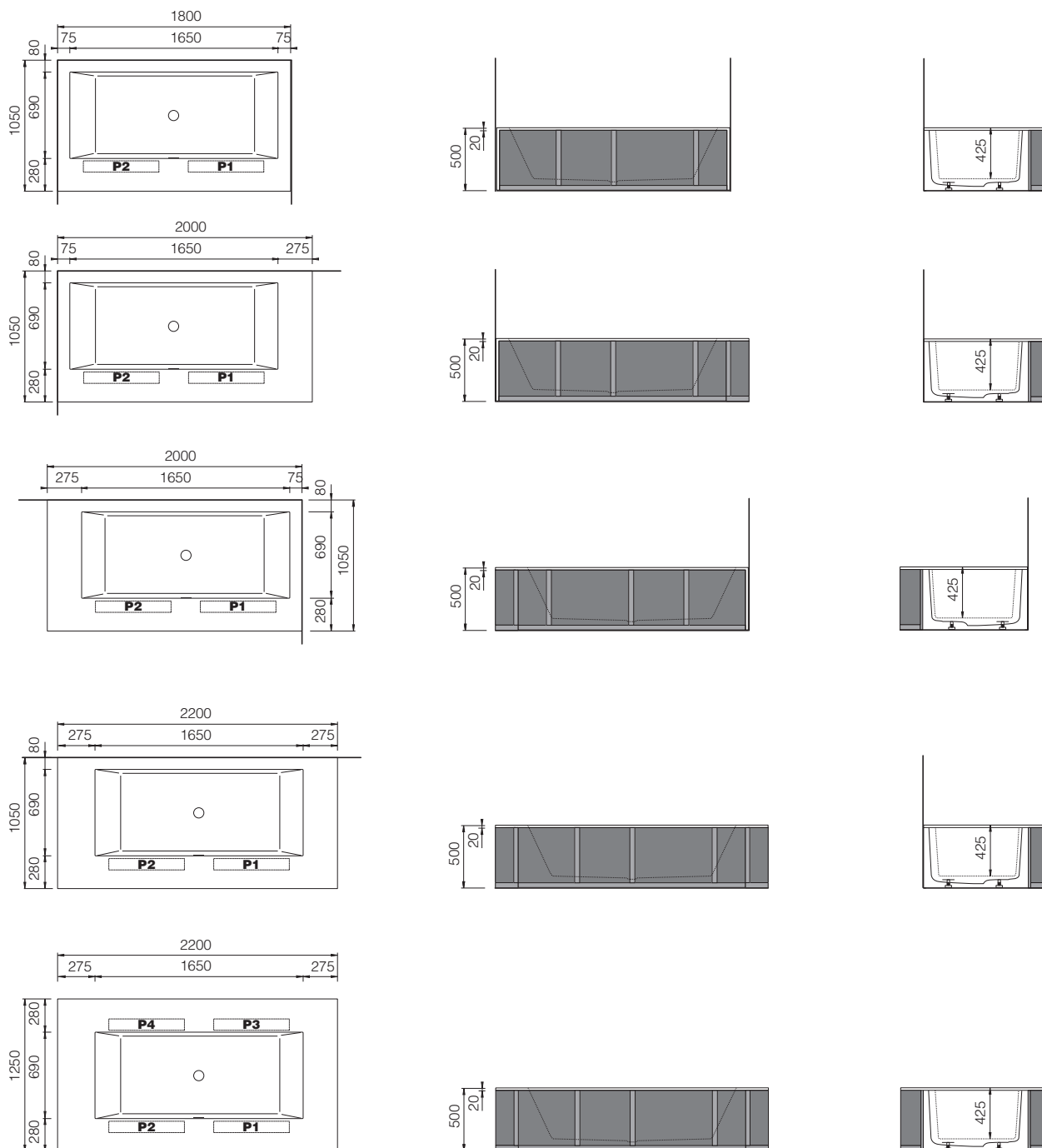
L = Width
P = Depth
H = Height
Pr = Price code

Bathtubs

SWIM C series

Cristalplant®, with adjustment feet, chromium-plated waste drain and syphon.

Bathtub WITH OPEN-FACED COMPARTMENTS. - Technical chart



IMPORTANT :

- P1, P2, P3 and P4 indicate the possible deck-mounted tap positioning: please add the specific customised solution in the order. The P1 and P2 positions refer to bathtub side with overflow, the P3 and P4 to the opposite side.
- The NICHE, PENINSULA AND CORNER bathtubs can be installed free-standing too, thanks to the use of panels in white Cristalplant®, positioned on sides without open-faced compartments.

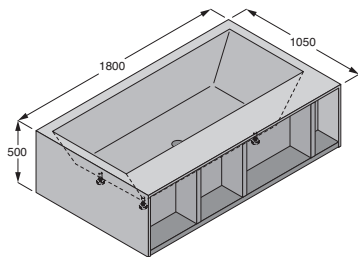
Bathtubs

SWIM C series
Design Piero Lissoni

Cristalplant®, with adjustment feet, chromium-plated waste drain and syphon.

Silcolak	Ecolak	Wood	Wood-Selection	Wood-Exclusive
----------	--------	------	----------------	----------------

Bathtub WITH OPEN-FACED COMPARTMENTS. -Covering panels on all sides without open-faced compartments.



- The (S) and (D) codes indicate the exact position of the removable panel, that allows the inspection of any deck-mounted bathtub tap.
- The compartment with the removable panel for inspection is less deep than the adjacent open-face compartments.
- 1 open-faced compartment + 3 fixed panels.
- In case of bathtub with deck-mounted tap: when tap is positioned on P1 please order bathtub code QAWGNF01 D, when it's on P2 please order bathtub code QAWGNF01 S.

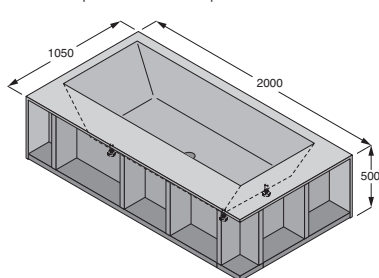
L P H

NICHE / ISLAND INSTALLATION

White + finished compartments.

1800 1050 500 **QAWGNF01 S-D**

Bathtub WITH OPEN-FACED COMPARTMENTS. -Covering panels on all sides without open-faced compartments.



- The (S) and (D) codes indicate the exact position of the removable panel, that allows the inspection of any deck-mounted bathtub tap.
- The compartment with the removable panel for inspection is less deep than the adjacent open-face compartments.
- 2 open-faced compartments + 2 fixed panels.
- In case of bathtub with deck-mounted tap: when tap is positioned on P1 please order bathtub code QAWGAF01 D, when it's on P2 please order bathtub code QAWGAF01 S.

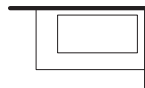
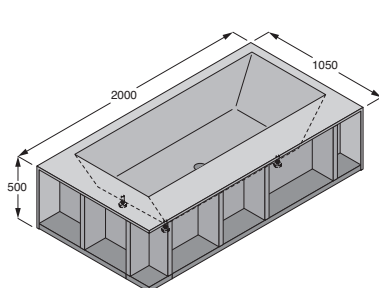
L P H

LEFT CORNER / ISLAND INSTALLATION

White + finished compartments.

2000 1050 500 **QAWGAF01 S-D**

Bathtub WITH OPEN-FACED COMPARTMENTS. -Covering panels on all sides without open-faced compartments.



- The (S) and (D) codes indicate the exact position of the removable panel, that allows the inspection of any deck-mounted bathtub tap.
- The compartment with the removable panel for inspection is less deep than the adjacent open-face compartments.
- 2 open-faced compartments + 2 fixed panels.
- In case of bathtub with deck-mounted tap: when tap is positioned on P1 please order bathtub code QAWGAF02 D, when it's on P2 please order bathtub code QAWGAF02 S.

L P H

RIGHT CORNER / ISLAND INSTALLATION

White + finished compartments.

2000 1050 500 **QAWGAF02 S-D**

L = Width
P = Depth
H = Height
Pr = Price code

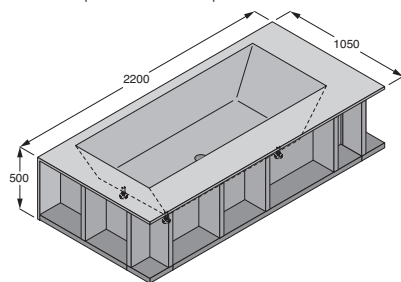
B a t h t u b s

SWIM C series
Design Piero Lissoni

Cristalplant®, with adjustment feet, chromium-plated waste drain and syphon.

Siccolak	Ecolak	Wood	Wood-Selection	Wood-Exclusive
----------	--------	------	----------------	----------------

Bathtub WITH OPEN-FACED COMPARTMENTS. - Covering panels on all sides without open-faced compartments.



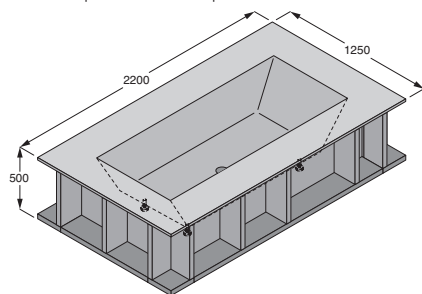
- The (S) and (D) codes indicate the exact position of the removable panel, that allows the inspection of any deck-mounted bathtub tap.
- The compartment with the removable panel for inspection is less deep than the adjacent open-face compartments.
- 3 open-faced compartments + 1 fixed panel.
- In case of bathtub with deck-mounted tap: when tap is positioned on P1 please order bathtub code QAWGPF01 D, when it's on P2 please order bathtub code QAWGPF01 S.

PENINSULA / FREE-STANDING INSTALLATION

White + finished compartments.

L P H
2200 1050 500 **QAWGPF01 S-D**

Bathtub WITH OPEN-FACED COMPARTMENTS. - Covering panels on all sides without open-faced compartments.



- The (S) and (D) codes indicate the exact position of the removable panel, that allows the inspection of any deck-mounted bathtub tap.
- The compartment with the removable panel for inspection is less deep than the adjacent open-face compartments.
- 4 open-faced compartments.

ISLAND INSTALLATION

White + finished compartments.

L P H
2200 1250 500 **QAWGIF01 S-D**

B a t h t u b s

ARK - TECHNICAL FEATURES / TYPOLOGIES

Customised bathtub in Cristalplant® with double backrest slope.
Versions: BUILT-IN - FREE-STANDING WITH PANELS - PENINSULA WITH PANELS
- CORNER WITH PANELS - NICHE WITH PANELS.
Certifications: USA - Canada.
Soft Touch: coating made of anthracite grey paint.

BUILT-IN:

upper/under-mounted installation, for walling and panelling supplied by the customer.

FREE-STANDING WITH PANELS:

for island installation, with fixed panels in Cristalplant® glued on 4 sides.

PENINSULA WITH PANELS:

peninsula installation, with longer side against the wall and fixed panels in Cristalplant® glued on other 3 sides.

PENINSULA WITH PANELS:

peninsula installation, with longer side against the wall and fixed panels in Cristalplant® glued on other 3 sides.

CORNER WITH PANELS:

for corner installation, with fixed panels in Cristalplant® glued on 2 sides.

NICHE WITH PANELS:

for niche installation, with fixed panel in Cristalplant® glued on 1 side.



L = Width
P = Depth
H = Height
Pr = Price code

Bathtubs

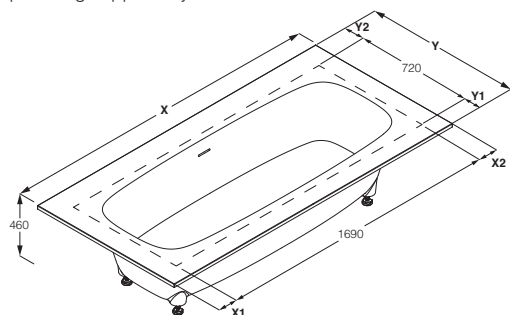
ARK
Design Naoto Fukasawa

Cristalplant®, with adjustment feet, chromium-plated waste drain and syphon.
Dimensions: L = 1690÷1910 mm / P = 720÷910 mm / H = 460 mm.

Pr

Customised BUILT-IN bathtub - Upper/under-mounted installation, walling and panelling supplied by the customer.

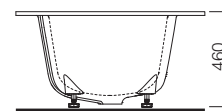
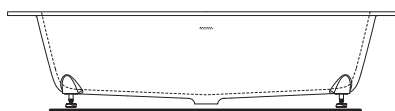
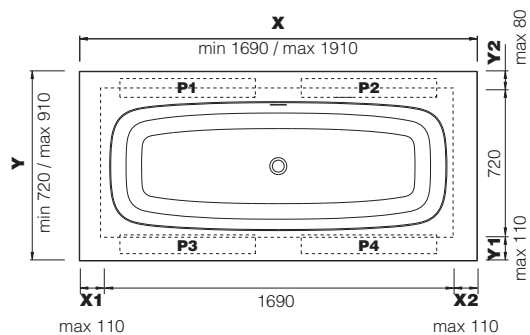
- Weight without water: 140 kg - Water capacity: 225 litres



L P H

White - - 460 **QAKSSR01**

Customised BUILT-IN bathtub - Technical chart



IMPORTANT :

P1, P2, P3 and P4 indicate the possible deck-mounted tap positioning: please add the specific customised solution in the order. The P1 and P2 positions refer to bathtub side with overflow, the P3 and P4 to the opposite side.

On the order please indicate the X, Y, X1, X2, Y1 and Y2 dimensions. Orders without dimensions are not accepted.

B a t h t u b s

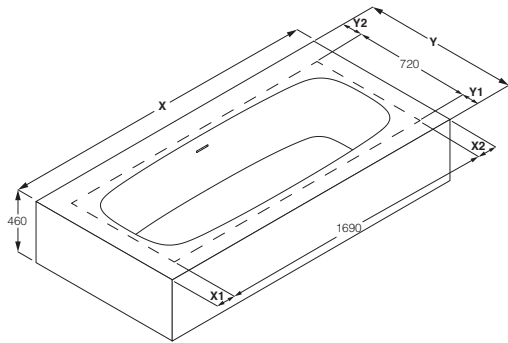
ARK
Design Naoto Fukasawa

Cristalplant®, with adjustment feet, chromium-plated waste drain and syphon.
Dimensions: L = 1690÷1910 mm / P = 720÷910 mm / H = 460 mm.

Pr

Customised FREE-STANDING bathtub WITH PANELS. - Covering panels on 4 sides.

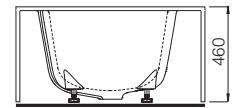
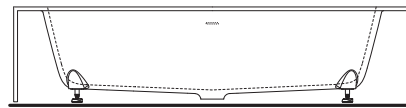
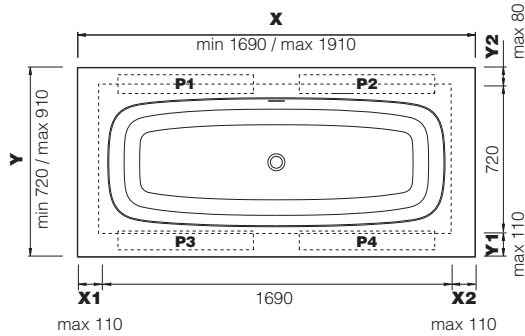
- Available versions: totally white / white with panels in Soft touch grey.
- Weight without water: 212 kg - Water capacity: 225 litres



L P H

White	-	-	460	QAKISR01
White + Soft Touch grey.....	-	-	460	QAKISS01

Customised FREE-STANDING bathtub WITH PANELS - Technical chart



IMPORTANT :

P1, P2, P3 and P4 indicate the possible deck-mounted tap positioning: please add the specific customised solution in the order. The P1 and P2 positions refer to bathtub side with overflow, the P3 and P4 to the opposite side.
On the order please indicate the X, Y, X1, X2, Y1 and Y2 dimensions. Orders without dimensions are not accepted.

L = Width
P = Depth
H = Height
Pr = Price code

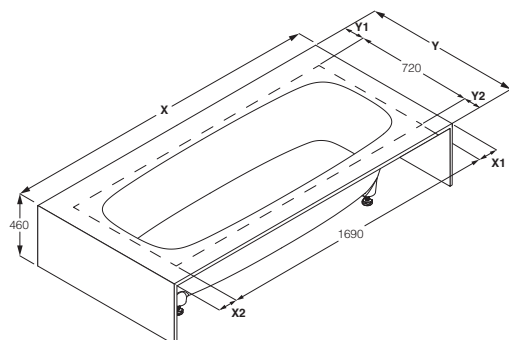
Bathtubs

ARK
Design Naoto Fukasawa

Cristalplant®, with adjustment feet, chromium-plated waste drain and syphon.
Dimensions: L = 1690÷1910 mm / P = 720÷910 mm / H = 460 mm.

Pr

Customised PENINSULA bathtub WITH PANELS. - Covering panels on 3 sides.

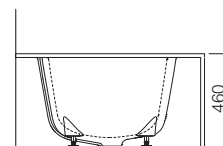
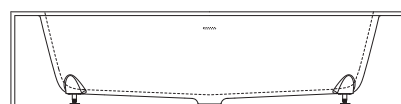
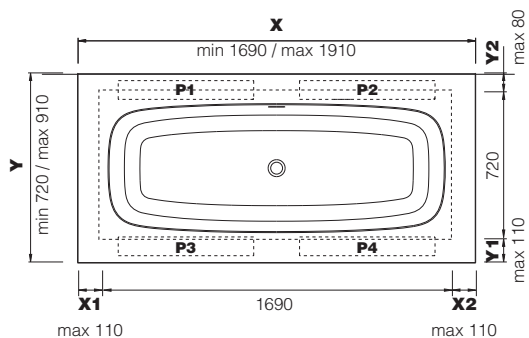


- Available versions: totally white / white with panels in Soft touch grey.
- The longer side with overflow is always against the wall.
- Weight without water: 188 kg - Water capacity: 225 litres

L P H

White	-	-	460	QAKPER01
White + Soft Touch grey.....	-	-	460	QAKPES01

Customised PENINSULA bathtub WITH PANELS - Technical chart



IMPORTANT :

P1, P2, P3 and P4 indicate the possible deck-mounted tap positioning: please add the specific customised solution in the order. The P1 and P2 positions refer to bathtub side with overflow, the P3 and P4 to the opposite side.

On the order please indicate the X, Y, X1, X2, Y1 and Y2 dimensions. Orders without dimensions are not accepted.

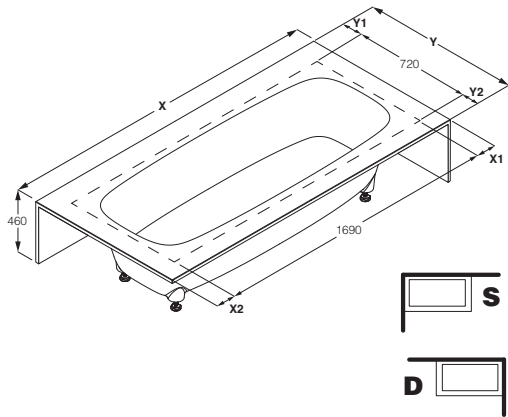
B a t h t u b s

ARK
Design Naoto Fukasawa

Cristalplant®, with adjustment feet, chromium-plated waste drain and syphon.
Dimensions: L = 1690÷1910 mm / P = 720÷910 mm / H = 460 mm.

Pr

Customised CORNER bathtub WITH PANELS. - Covering panels on 2 sides.

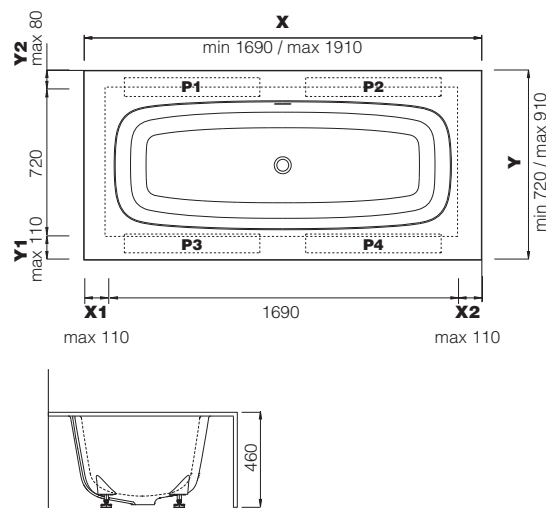
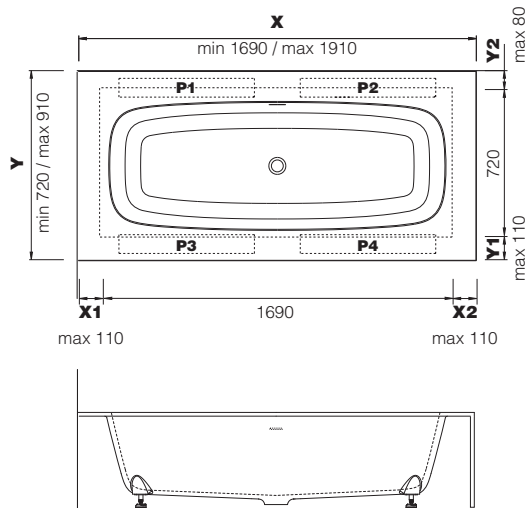


- Available versions: totally white / white with panels in Soft touch grey.
- The longer side with overflow is always against the wall.
- Weight without water: 176 kg - Water capacity: 225 litres
- Drawn=right (D), mirrored=left (S).

L P H

White.....	-	-	460	QAKANR01	S-D
White + Soft Touch grey.....	-	-	460	QAKANS01	S-D

Customised CORNER bathtub WITH PANELS - Technical chart



IMPORTANT :

P1, P2, P3 and P4 indicate the possible deck-mounted tap positioning: please add the specific customised solution in the order. The P1 and P2 positions refer to bathtub side with overflow, the P3 and P4 to the opposite side.

On the order please indicate the X, Y, X1, X2, Y1 and Y2 dimensions. Orders without dimensions are not accepted.

L = Width
P = Depth
H = Height
Pr = Price code

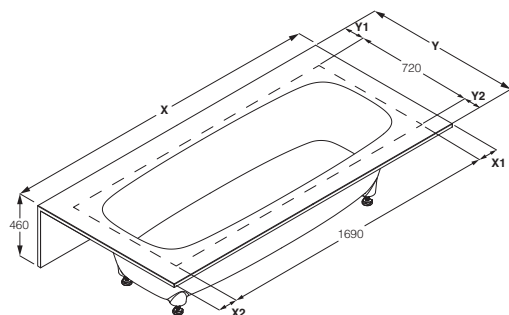
Bathtubs

ARK
Design Naoto Fukasawa

Cristalplant®, with adjustment feet, chromium-plated waste drain and syphon.
Dimensions: L = 1690÷1910 mm / P = 720÷910 mm / H = 460 mm.

Pr

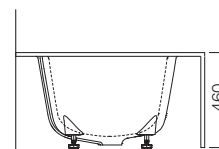
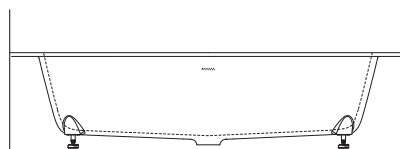
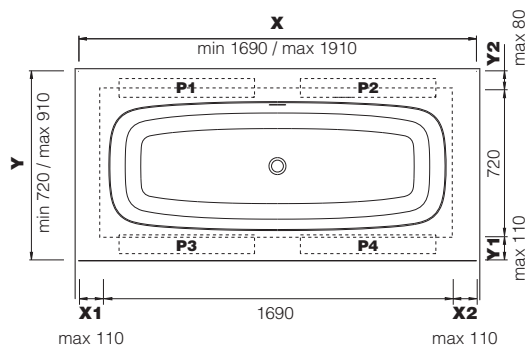
Customised NICHE bathtub WITH PANELS. - Covering panels on 1 side.



- Available versions: totally white / white with panels in Soft touch grey.
- The longer side with overflow is always against the wall.
- Weight without water: 164 kg - Water capacity: 225 litres

	L	P	H	
White	-	-	460	QAKICR01
White + Soft Touch grey.....	-	-	460	QAKICS01

Customised NICHE bathtub WITH PANELS - Technical chart



IMPORTANT :

P1, P2, P3 and P4 indicate the possible deck-mounted tap positioning: please add the specific customised solution in the order. The P1 and P2 positions refer to bathtub side with overflow, the P3 and P4 to the opposite side.

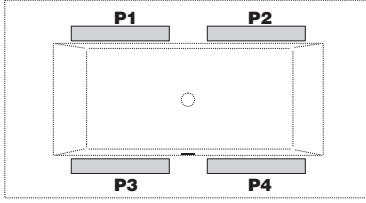
On the order please indicate the X, Y, X1, X2, Y1 and Y2 dimensions. Orders without dimensions are not accepted.

B a t h t u b s

Holes for deck-mounted tap set for bathtub.

Pr

ARK / SWIM C - Hole for deck-mounted tap.
Only for taps, listed as compatible.



- The compatible taps without spout should be integrated with a spout, to be chosen according to the design situation. Water supply from overflow is not possible.
- Min. bathtub edge: 100 mm. (70 mm. on side with overflow for ARK bathtub).

	L	P	H	
Position P1. - For LIQUID code RGSLO8.	-	-	-	ZVLAC01
Position P2. - For LIQUID code RGSLO8.	-	-	-	ZVLAC02
Position P3. - For LIQUID code RGSLO8.	-	-	-	ZVLAC03
Position P4. - For LIQUID code RGSLO8.	-	-	-	ZVLAC04
Position P1. - For LIQUID code RESLO9.	-	-	-	ZVLAC05
Position P2. - For LIQUID code RESLO9.	-	-	-	ZVLAC06
Position P3. - For LIQUID code RESLO9.	-	-	-	ZVLAC07
Position P4. - For LIQUID code RESLO9.	-	-	-	ZVLAC08
Position P1. - For CUT code RECT10.	-	-	-	ZVLAC09
Position P2. - For CUT code RECT10.	-	-	-	ZVLAC10
Position P3. - For CUT code RECT10.	-	-	-	ZVLAC11
Position P4. - For CUT code RECT10.	-	-	-	ZVLAC12
Position P1. - For MINIMAL code RGDM09 or W1 code RGFA06.	-	-	-	ZVLAC13
Position P2. - For MINIMAL code RGDM09 or W1 code RGFA06.	-	-	-	ZVLAC14
Position P3. - For MINIMAL code RGDM09 or W1 code RGFA06.	-	-	-	ZVLAC15
Position P4. - For MINIMAL code RGDM09 or W1 code RGFA06.	-	-	-	ZVLAC16
Position P1. - For MINIMAL code RGDM10 or W1 code RGFA05.	-	-	-	ZVLAC17
Position P2. - For MINIMAL code RGDM10 or W1 code RGFA05.	-	-	-	ZVLAC18
Position P3. - For MINIMAL code RGDM10 or W1 code RGFA05.	-	-	-	ZVLAC19
Position P4. - For MINIMAL code RGDM10 or W1 code RGFA05.	-	-	-	ZVLAC20
Position P1. - For WINGS RGNS01 / RGNS02.	-	-	-	ZVLAC21
Position P2. - For WINGS RGNS01 / RGNS02.	-	-	-	ZVLAC22
Position P3. - For WINGS RGNS01 / RGNS02.	-	-	-	ZVLAC23
Position P4. - For WINGS RGNS01 / RGNS02.	-	-	-	ZVLAC24
Position P1. - For WINGS RGNS03 / RGNS04.	-	-	-	ZVLAC25
Position P2. - For WINGS RGNS03 / RGNS04.	-	-	-	ZVLAC26
Position P3. - For WINGS RGNS03 / RGNS04.	-	-	-	ZVLAC27
Position P4. - For WINGS RGNS03 / RGNS04.	-	-	-	ZVLAC28
Position P1. - For ECLIPSE code RGRX03.	-	-	-	ZVLAC29
Position P2. - For ECLIPSE code RGRX03.	-	-	-	ZVLAC30
Position P3. - For ECLIPSE code RGRX03.	-	-	-	ZVLAC31
Position P4. - For ECLIPSE code RGRX03.	-	-	-	ZVLAC32
Position P1. - For ECLIPSE code RGRX04.	-	-	-	ZVLAC33
Position P2. - For ECLIPSE code RGRX04.	-	-	-	ZVLAC34
Position P3. - For ECLIPSE code RGRX04.	-	-	-	ZVLAC35
Position P4. - For ECLIPSE code RGRX04.	-	-	-	ZVLAC36
Position P1. - For GARDEN code RGGN05 / PIPE code RGFP06.	-	-	-	ZVLAC37
Position P2. - For GARDEN code RGGN05 / PIPE code RGFP06.	-	-	-	ZVLAC38
Position P3. - For GARDEN code RGGN05 / PIPE code RGFP06.	-	-	-	ZVLAC39
Position P4. - For GARDEN code RGGN05 / PIPE code RGFP06.	-	-	-	ZVLAC40
Position P1. - For GARDEN code RGGN06 / PIPE code RGFP07.	-	-	-	ZVLAC41
Position P2. - For GARDEN code RGGN06 / PIPE code RGFP07.	-	-	-	ZVLAC42
Position P3. - For GARDEN code RGGN06 / PIPE code RGFP07.	-	-	-	ZVLAC43
Position P4. - For GARDEN code RGGN06 / PIPE code RGFP07.	-	-	-	ZVLAC44
Position P1. - For tap supplied by customer.	-	-	-	ZNBB10
Position P2. - For tap supplied by customer.	-	-	-	ZNBB11
Position P3. - For tap supplied by customer.	-	-	-	ZNBB12
Position P4. - For tap supplied by customer.	-	-	-	ZNBB13

L = Width
P = Depth
H = Height
Pr = Price code